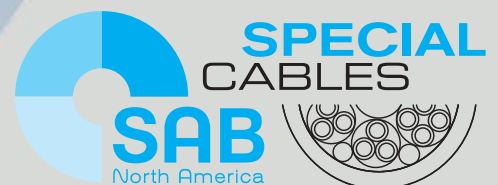


PROBE

WITH STAINLESS STEEL SLEEVE



www.sabcable.com
866-722-2974 ■ info@sabcable.com



SAB North America

About Us

SAB North America is a focused supplier for the automation, aerospace, medical, high temperature, and robotics industries, providing cable and thermocouple solutions that meet, exceed, and set new standards in the flexible cable market. In addition to flexible cable products, we offer an extensive inventory of high-quality cable accessories, including cord grips, grounding glands and other accessories that complement our flexible control and automation cables.

Whatever the need may be, look to SAB North America for Special Cables that can, for example, help minimize maintenance costs and increase productivity, reduce downtime, and solve specific problems. Here is a small sample of some of the challenges that Special Cables from SAB North America can help address:

- Hybrid designs for multiple functions
- Harsh environments
- Difficult applications
- Industry-specific requirements



Temperature sensors with stainless steel sleeves are suitable for different industrial applications, for example, in plastic industry (heaters), autoclaves, or in machine construction. As a longtime manufacturer of temperature sensors with more than 75 years of experience, SAB can design a special temperature sensor for you, which will be optimized and manufactured especially for your measuring application. The type can be freely selected according to the application, such as type K, type J, type L, type S/T, etc. Using a variety of combination possibilities, SAB can construct an individual temperature sensor exactly for your application.

SAB's level of speed and service as a supplier is unmatched. SAB lives up to its name in not only flexible cable but also flexible manufacturing.

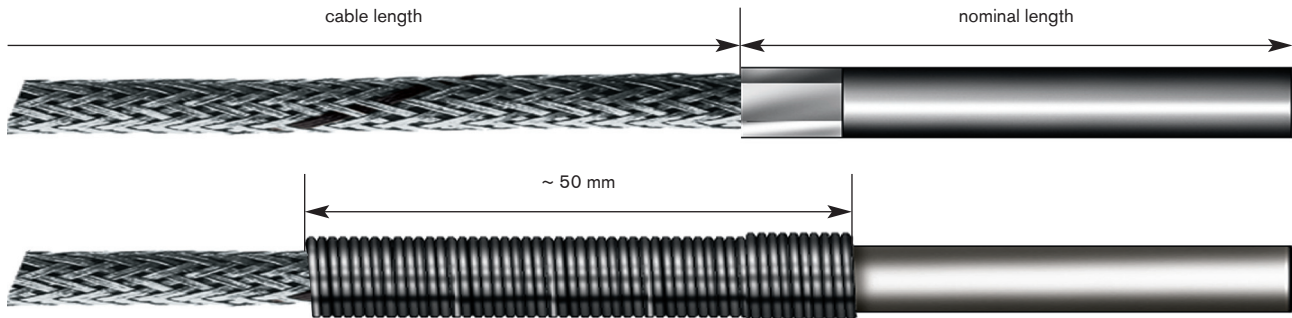


SAB Advantage...We make it Easy

- Engineering & technical assistance
- Cut to length with no cut charges
- Prepaid freight within US for orders over \$2,500
- Specialty cable designs (1500 ft minimum)
- No minimum on orders from stock
- Free drop shipments (no surcharges)
- 24-hour shipments from stock
- Cord Grips for securing and grounding cables

PROBE WITH STAINLESS STEEL SLEEVE

THERMO PROBE WITH CONNECTION CABLE T221-228



connection cable		construction	temperature
<input type="checkbox"/> TH 22 LRV	0.22 mm ²	strand/fiber glass/fiber glass/stainless steel wire armoring	+400°C
<input type="checkbox"/> TH 22 LTV	0.22 mm ²	strand/PFA/fiber glass/stainless steel wire armoring	+250°C
<input type="checkbox"/> TH DRR	0.50 mmØ	wire/fiber glass/fiber glass	+400°C
<input type="checkbox"/> TH 22 LTT	0.22 mm ²	strand/PFA/PFA	+250°C

Thermocouple:

- 1 x type L
- 2 x type L
- 1 x type J
- 2 x type J
- 1 x type K
- 2 x type K
- other thermocouples: _____

type J and K acc. to DIN EN 60584

type L acc. to DIN 43710

Sleeve-Ø:

- 3.5 mm
- 4.0 mm
- 5.0 mm
- 6.0 mm
- 7.0 mm
- 8.0 mm
- other construction: _____

Type of cable ends:

- bare ends
- end sleeve
- cable lugs M4
- other cable ends: _____

Connection cable:

- 1.0 mm
- 1.5 mm
- 2.0 mm
- 2.5 mm
- 3.0 mm
- 4.0 mm
- 5.0 mm
- 10.0 mm
- other cable length: _____

Type of measuring tip:

- Form A, insulated measuring tip
- Form B, welded measuring tip

Kink protection:

- with kink protection
- with fiber glass tube
- with heat shrinkable sleeve

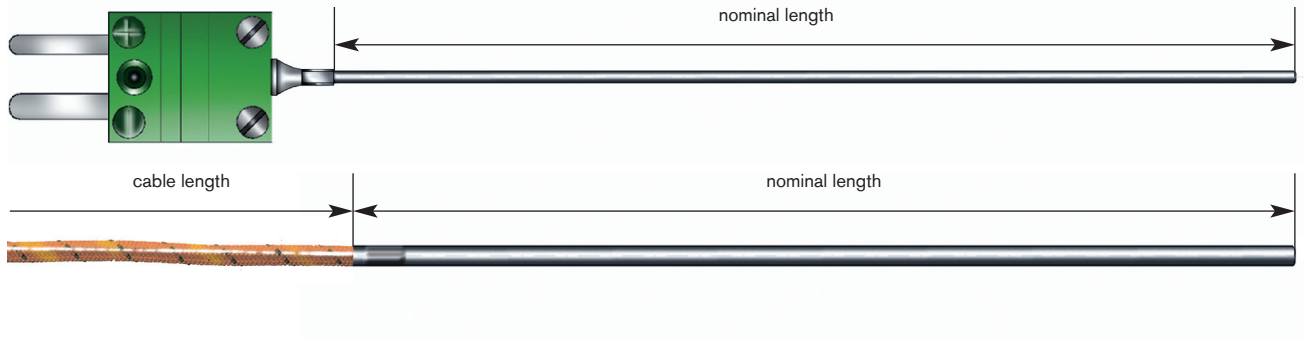
Nominal length: _____ mm



- bent type also available
- with plate 8 x 15 mm, hole Ø 5 mm
- smaller diameters on request

PROBE WITH STAINLESS STEEL SLEEVE

PLUG-IN THERMOCOUPLE WITH CONNECTION CABLE T260



connection cable		construction	temperature
<input type="checkbox"/> THEL	0.22 mm ²	strand/fiber glass/fiber glass/Pi foil	+400°C
<input type="checkbox"/> THEL	0.22 mmØ	wire/Pi foil/Pi foil, bare wire (+ leg)	+400°C

Thermocouple:

- 1 x type L
- 1 x type J
- 1 x type K
- other thermocouples: _____

type J and K acc. to DIN EN 60584
type L acc. to DIN 43710

Sleeve-Ø:

- 1.5 mm (only possible with THEL 0.20 mmØ)
- 3.0 mm

Type of cable ends:

- bare ends
- cable lugs M4
- end sleeve
- miniature plug
- miniature sockets
- other cable ends: _____

Connection cable:

- 1.0 mm
- 1.5 mm
- 2.0 mm
- 2.5 mm
- 3.0 mm
- 4.0 mm
- 5.0 mm
- 10.0 mm
- other cable length: _____

Type of measuring tip:

- Form A, insulated measuring tip
- Form B, welded measuring tip

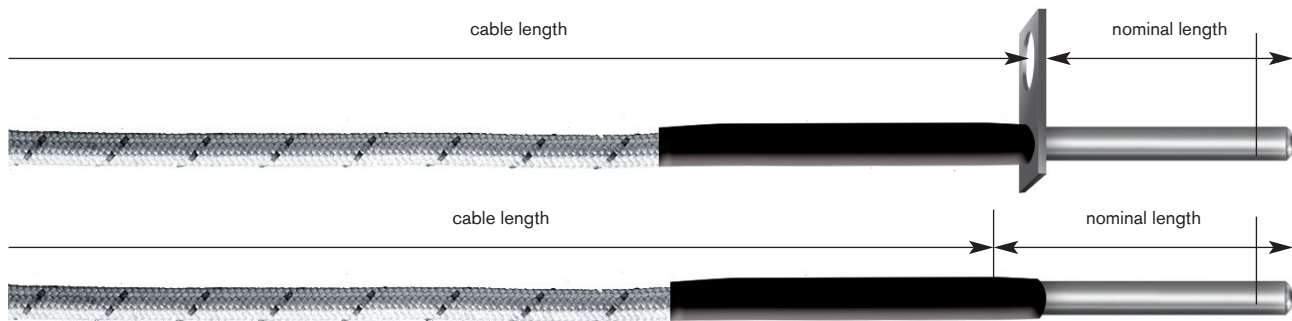
Nominal length: _____ mm



**High temperature probe
with stainless steel sleeve**

PROBE WITH STAINLESS STEEL SLEEVE

THERMO PROBE WITH CONNECTION CABLE T221



connection cable		construction	temperature
<input type="checkbox"/> TH DRR	0.50 mmØ	wire/fiber glass/fiber glass	+400°C

Thermocouple:

- 1 x type L
- 1 x type J
- 1 x type K
- other thermocouples: _____

type J and K acc. to DIN EN 60584
type L acc. to DIN 43710

Sleeve-Ø:

- 3.5 mm

Type of cable ends:

- bare ends
- end sleeve
- cable lugs M4
- other cable ends: _____

Connection cable:

- 1.0 mm
- 1.5 mm
- 2.0 mm
- 2.5 mm
- 3.0 mm
- 4.0 mm
- 5.0 mm
- 10.0 mm
- other cable length: _____

Type of measuring tip:

- Form B, welded measuring tip
- other measuring tip: _____

Kink protection:

- kink protection with shrinkable sleeve

Nominal length:

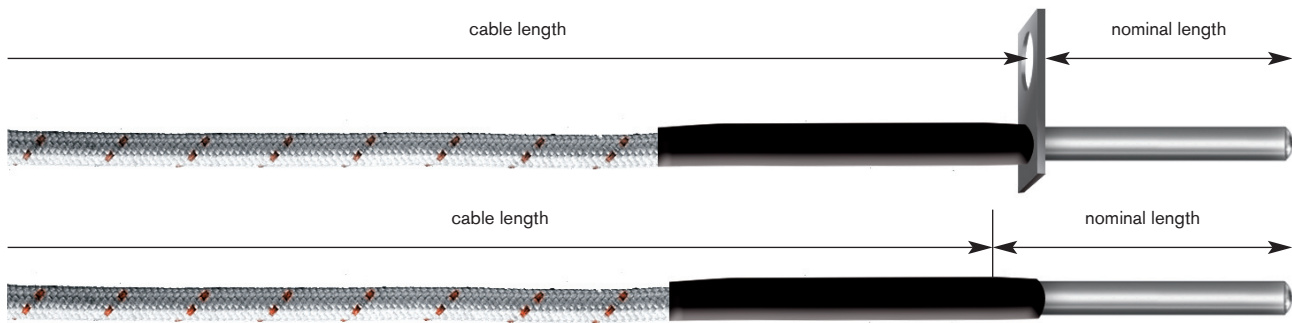
- 30 mm
- other nominal length: _____ mm



- with mounting plate 8 x 15 mm, hole Ø 5 mm

PROBE WITH STAINLESS STEEL SLEEVE

RESISTANCE PROBE WITH CONNECTION CABLE T521



connection cable	construction	temperature
<input type="checkbox"/> RRL 0.22 mm ²	strand/fiber glass/fiber glass	+400°C

RTD:

- 1 x Pt 100 class B
 - 1 x Pt 100 class A
 - other RTDs: _____
- Pt 100 acc. to DIN EN 60751

Connection type of inner wires:

- 2 – wire circuit
- other connection type: _____

Sleeve-Ø:

- 3.5 mm

Type of cable ends:

- bare ends
- end sleeve
- cable lugs M4
- other cable ends: _____

Connection cable:

- 1.0 mm
- 1.5 mm
- 2.0 mm
- 2.5 mm
- 3.0 mm
- 4.0 mm
- 5.0 mm
- 10.0 mm
- other cable length: _____

Kink protection:

- kink protection with shrinkable sleeve

Nominal length:

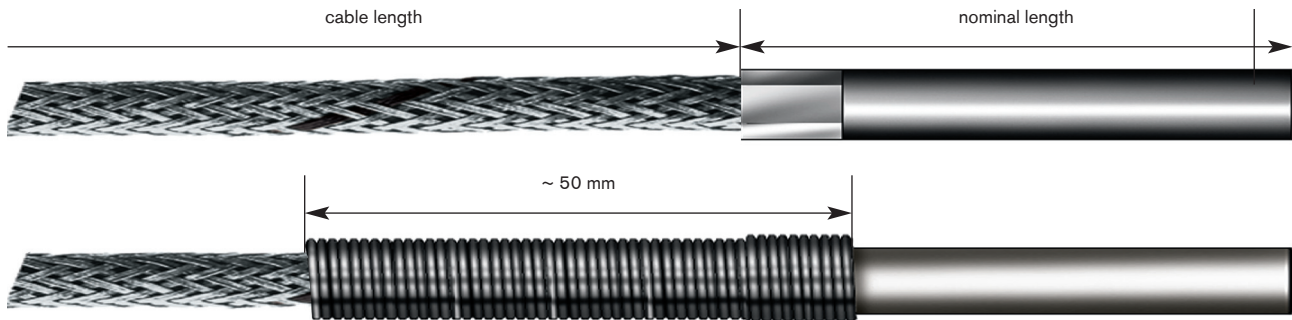
- 30 mm
- other nominal length: _____ mm



- with mounting plate 8 x 15 mm, hole Ø 5 mm

PROBE WITH STAINLESS STEEL SLEEVE

RESISTANCE PROBE WITH CONNECTION CABLE T521 – 528



connection cable	construction	temperature
<input type="checkbox"/> TGV	0.18 mm ²	strand/PFA/fiber glass/stainless steel wire armoring +250°C
<input type="checkbox"/> TTL	0.18 mm ²	strand/PFA/PFA +250°C
<input type="checkbox"/> RRL	0.22 mm ²	strand/fiber glass/fiber glass +400°C
<input type="checkbox"/> RRL-VA	0.22 mm ²	strand/fiber glass/fiber glass/stainless steel wire armoring +400°C
<input type="checkbox"/> LiYY	0.25 mm ²	strand/PVC/ PVC + 70°C

RTD:

- 1 x Pt 100 class B
- 2 x Pt 100 class B
- 1 x Pt 100 class A
- 2 x Pt 100 class A
- other RTDs: _____

Pt 100 acc. to DIN EN 60751

Connection type of inner wires:

- 2 – wire circuit
- 3 – wire circuit
- 4 – wire circuit

Sleeve-Ø:

- 3.5 mm
- 4.0 mm
- 5.0 mm
- 6.0 mm
- 7.0 mm
- 8.0 mm
- other construction: _____

Type of cable ends:

- bare ends
- end sleeve
- cable lugs M4
- other cable ends: _____

Connection cable:

- 1.0 mm
- 1.5 mm
- 2.0 mm
- 2.5 mm
- 3.0 mm
- 4.0 mm
- 5.0 mm
- 10.0 mm
- other cable length: _____

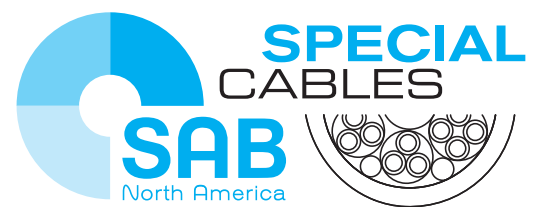
Kink protection:

- with kink protection
- with fiber glass tube
- with heat shrinkable sleeve

Nominal length: _____ mm



- bent type also available
- with plate 8 x 15 mm, hole Ø 5 mm
- smaller diameters on request



344 Kaplan Drive
Fairfield, NJ 07004
Toll Free: 866-722-2974
www.sabcable.com
info@sabcable.com