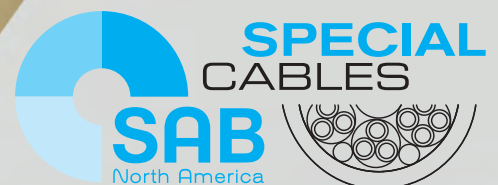


CORD GRIPS & ACCESSORIES

FOR SECURING & SHIELDING YOUR CABLE



www.sabcable.com
866-722-2974 ■ info@sabcable.com

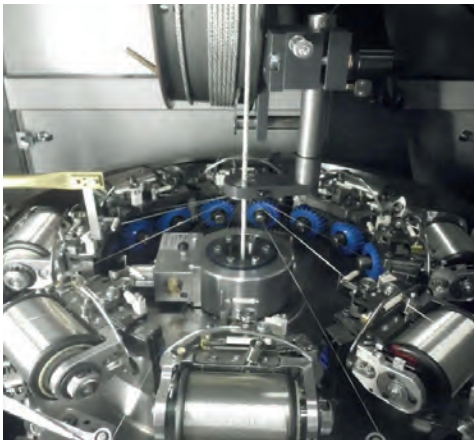


About Us











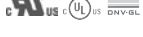
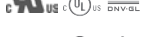









SAB North America is a focused supplier for the automation, medical, high temperature, and robotics industries, providing cable solutions that meet, exceed, and set new standards in the flexible cable market. In addition to flexible cable products, we offer an extensive inventory of high-quality cable accessories including cord grips, grounding glands and other accessories that complement our flexible control and automation cables.

Our parent company, SAB Bröckskes, is located in Viersen, Germany where the manufacturing and testing of our products is done. SAB Bröckskes has been a proven leader in the development and manufacturing of industrial cables for over 75 years. SAB Bröckskes adherence to product quality, ISO 9001 certified, has proven itself in thousands of the world's most demanding robotic and automated applications. SAB's level of speed and service as a capable supplier is unmatched. SAB lives up to its name in not only flexible cable but also flexible manufacturing.










SAB Advantage...We make it Easy

- Engineering & technical assistance
- Cut to length with no cut charges
- Prepaid freight within US for orders over \$2,500
- Specialty cable designs (1500 ft minimum)
- No minimum on orders from stock
- Free drop shipments (no surcharges)
- 24-hour shipments from stock
- Cord Grips for securing cables

Polyamide 6 Cord Grips			page
■ CG 100 Metric		Polyamide cord grip, dome cap with locknut, black or gray, metric thread	5
■ CG 100 PG		Polyamide cord grip, dome cap with locknut, black or gray, PG thread	6
■ CG 100 NPT		Polyamide cord grip, dome cap, black or gray, NPT thread	7
■ CG 150 Snap-In		Polyamide cord grip, dome cap, black or gray, without threads	8
■ CG 200 Metric		Polyamide cord grip, flex cap, black or gray, metric thread	9
■ CG 200 PG		Polyamide cord grip, flex cap, black or gray, PG thread	10
■ CG 200 NPT		Polyamide cord grip, flex cap, black or gray, NPT thread	10
■ Plastic Locknuts		Polyamide hexagonal locknuts, black or gray, metric, PG, & NPT thread	11
Metal Cord Grips			
■ CG 300 Metric		Nickel plated brass cord grip, standard & longer thread, metric thread	12
■ CG 300 PG		Nickel plated brass cord grip, standard & longer thread, PG thread	13
■ CG 300 NPT		Nickel plated brass cord grip, NPT thread	14
■ CG 350 Metric		Stainless steel cord grip, SS303 or SS316, metric thread	15
■ CG 350 PG		Stainless steel cord grip, SS303 or SS316, PG thread	16
■ CG 350 NPT		Stainless steel cord grip, SS303 or SS316, NPT thread	17
■ CG 325 Metric		Nickel plated brass cord grip, flex cap, Metric thread	18
■ CG 325 PG		Nickel plated brass cord grip, flex cap, PG thread	18
■ Metal Locknuts		Nickel plated brass locknuts, metric, PG, & NPT thread	28
EMC Grounding Glands Cord Grips & VFD Termination Kits			
■ EMC Overview		EMC-2 & EMC-4 grounding gland overview	19
■ CG EMC-2 Metric		Nickel plated brass EMC cable gland, standard & longer thread, metric thread	20
■ CG EMC-2 PG		Nickel plated brass EMC cable gland, standard & longer thread, PG thread	21
■ CG EMC-2 NPT		Nickel plated brass EMC cable gland, NPT thread	21
■ CG EMC-4 Metric		Nickel plated brass EMC cable gland, vibration proof, metric thread	22
■ CG EMC-4 PG		Nickel plated brass EMC cable gland, vibration proof, PG thread	22
■ CG EMC-4 NPT		Nickel plated brass EMC cable gland, vibration proof, NPT thread	22
■ EMC Locknuts		Nickel plated brass locknuts with grounding teeth, metric, PG, & NPT	28
■ VFD Grounding Kit		Grounding kits for larger AWG cables	29





Explosion Proof Glands

■ EX 100 Metric		Polyamide 6 EX e dome cap explosion proof cable gland, Metric thread	23
■ EX 100 NPT		Polyamide 6 EX e dome cap explosion proof cable gland, NPT thread	23
■ EX 150 Metric		Polyamide 6 EX e dome cap high impact cable gland, Metric thread	24
■ EX 300 Metric		Nickel plated brass EX e & EX d dome cap cable gland, Metric thread	25
■ EX 300 NPT		Nickel plated brass EX d dome cap cable gland, Metric thread	26
■ EX EMC-2 Metric		Nickel plated brass EX e & EX d dome cap cable gland, Metric thread	27
■ EX EMC-2 NPT		Nickel plated brass EX d dome cap cable gland, NPT thread	27





Cable Gland Accessories & Fittings

■ Enlargers		Nickel plated brass fittings, PG to PG, metric to PG, metric to metric, metric to NPT	30
■ Reducers		Nickel plated brass fittings, PG to PG, metric to PG, metric to metric	32
■ Multi-Hole Bushings		NBR multi-hole bushing for use with metric, PG or NPT cord grips	33
■ Hole Plug		Round or Hex polyamide hole plugs, black or gray, metric or PG threads	35
■ Dome Plug		Sealing plug for cable glands based on clamping range	36
■ Metal Round Hole Plug		Hole plug for sealing metric and PG threaded holes	37
■ O-ring		NBR sealing ring	38
■ Flat Washer		Neoprene washer fits metric, PG, and NPT threads	39

Stainless Steel Hygienic Cable Gland and Conduit fittings

■ Hygienic Glands & Fittings		Stainless steel cable glands and conduit fittings	40
■ CG Clean		Stainless steel hygienic cable gland, standard and EMC, metric & NPT threads	41
■ CF Clean		Stainless steel hygienic conduit fitting, metric & NPT threads	42

Ventilation Glands & Plugs

■ VG Vent PA6		Polyamide vent gland, black or gray, metric & PG thread	43
■ VG Vent NPB		Nickel plated brass vent gland, metric & PG thread	43
■ VP Vent PA6		Polyamide vent plug, black or gray, metric thread or quick fit	44
■ VP Vent Metal		Stainless steel vent plug metric & PG thread	45

Technical Information

■ Thread dimensions and hole sizes	46
■ Torque values for Polyamide 6 cable glands	47
■ Torque values for Metal cable glands	48
■ Torque values for EMC-2 nickel plated brass cable glands	49
■ Torque values for EMC-4 nickel plated brass cable glands	50
■ EMC Grounding Gland installation guide	51
■ VFD termination kit instructions	53



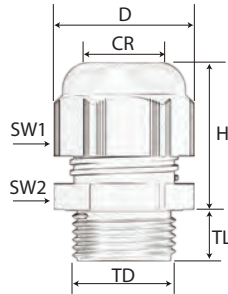
Polyamide 6 Cord Grips

CG 100 Metric

Dome cap cord grip, black or gray with locknut

Metric Thread

Liquid tight seal, fast and easy installation, wide clamping range, multi-purpose applications, easy handling.



Technical data:

Material:	Polyamide 6
Seal:	Chloroprene (CR)
Color:	RAL 7001 (gray) RAL 9005 (black)
Protection type:	IP 68 - 5 Bar NEMA 4X
Temperature range:	<i>permanent:</i> -20°C to +100°C <i>intermittent:</i> -30°C to +150°C
Flammability:	V2 (according to UL 94)
Approvals:	cURus, cULus, cCSAus, VDE, DNV-GL, CE



Part Number		Thread Type	Clamping Range Ø min-max		Outer Diameter (D) inches	Wrenching Flats		Thread Diameter		Thread Length (TL) inches	Max. Height (H) inches	UL
gray	black		(CR)			Cap (SW1) inches	Body (SW2) inches	(TD)				
			inches	mm			inches	mm				
Metric												
PMG-12*	PMB-12*	M12x1.5	0.118 - 0.256	3.0 - 6.5	0.669	0.591	0.591	0.472	12	0.315	0.996	cURus
PMG-16C*	PMB-16C*	M16x1.5	0.157 - 0.315	4.0 - 8.0	0.854	0.748	0.748	0.630	16	0.394	1.079	-
PMG-16*	PMB-16*	M16x1.5	0.197 - 0.394	5.0 - 10.0	0.984	0.866	0.866	0.630	16	0.394	1.268	cURus
PMG-20*	PMB-20*	M20x1.5	0.236 - 0.472	6.0 - 12.0	1.063	0.945	0.945	0.787	20	0.394	1.276	cULus
PMG-20C*	PMB-20C*	M20x1.5	0.394 - 0.551	10.0 - 14.0	1.217	1.063	1.063	0.787	20	0.394	1.256	cULus
PMG-25C*	PMB-25C*	M25x1.5	0.433 - 0.669	11.0 - 17.0	1.280	1.142	1.142	0.984	25	0.315	1.484	cULus
PMG-25*	PMB-25*	M25x1.5	0.512 - 0.709	13.0 - 18.0	1.465	1.299	1.299	0.984	25	0.394	1.512	cULus
PMG-32C*	PMB-32C*	M32x1.5	0.591 - 0.827	15.0 - 21.0	1.614	1.417	1.417	1.260	32	0.394	1.665	cULus
PMG-32	PMB-32	M32x1.5	0.709 - 0.984	18.0 - 25.0	1.854	1.654	1.654	1.260	32	0.591	1.705	cULus
PMG-40C†	PMB-40C†	M40x1.5	0.748 - 1.102	19.0 - 28.0	2.063	1.811	1.811	1.575	40	0.394	1.866	cULus
PMG-40	PMB-40	M40x1.5	0.866 - 1.260	22.0 - 32.0	2.346	2.087	2.087	1.575	40	0.709	2.063	cULus
PMG-50	PMB-50	M50x1.5	1.181 - 1.496	30.0 - 38.0	2.669	2.362	2.362	1.969	50	0.709	2.157	cULus
PMG-63	PMB-63	M63x1.5	1.339 - 1.732	34.0 - 44.0	2.850	2.559	2.559	2.480	63	0.709	2.161	cULus
PMG-75	PMB-75	M75x2.0	1.890 - 2.165	48.0 - 55.0	3.504	2.953	3.150	2.953	75	0.984	2.165	cULus
Metric with Reducer Bushings												
PMG-12R	PMB-12R	M12x1.5	0.079 - 0.197	2.0 - 5.0	0.669	0.591	0.591	0.472	12	0.315	0.996	cURus
PMG-16RC*	PMB-16RC*	M16x1.5	0.079 - 0.236	2.0 - 6.0	0.854	0.748	0.748	0.630	16	0.394	1.079	-
PMG-16R*	PMB-16R*	M16x1.5	0.118 - 0.276	3.0 - 7.0	0.984	0.866	0.866	0.630	16	0.394	1.268	cURus
PMG-20R*	PMB-20R*	M20x1.5	0.197 - 0.354	5.0 - 9.0	1.063	0.945	0.945	0.787	20	0.394	1.276	cULus
PMG-20RC*	PMB-20RC*	M20x1.5	0.276 - 0.472	7.0 - 12.0	1.217	1.063	1.063	0.787	20	0.394	1.256	cULus
PMG-25RC*	PMB-25RC*	M25x1.5	0.354 - 0.512	9.0 - 13.0	1.280	1.142	1.142	0.984	25	0.315	1.484	cULus
PMG-25R*	PMB-25R*	M25x1.5	0.354 - 0.630	9.0 - 16.0	1.465	1.299	1.299	0.984	25	0.394	1.512	cULus
PMG-32RC*	PMB-32RC*	M32x1.5	0.433 - 0.591	11.0 - 15.0	1.614	1.417	1.417	1.260	32	0.394	1.665	cULus
PMG-32R	PMB-32R	M32x1.5	0.472 - 0.787	12.0 - 20.0	1.854	1.654	1.654	1.260	32	0.591	1.705	cULus
PMG-40RC*	PMB-40RC*	M40x1.5	0.630 - 0.906	16.0 - 23.0	2.063	1.811	1.811	1.575	40	0.394	1.866	cULus
PMG-40R	PMB-40R	M40x1.5	0.787 - 1.024	20.0 - 26.0	2.346	2.087	2.087	1.575	40	0.709	2.063	cULus
PMG-50R	PMB-50R	M50x1.5	0.984 - 1.220	25.0 - 31.0	2.669	2.362	2.362	1.969	50	0.709	2.157	cULus
PMG-63R	PMB-63R	M63x1.5	1.142 - 1.378	29.0 - 35.0	2.850	2.559	2.559	2.480	63	0.709	2.161	cULus

* Available with longer thread of 0.591". Add an "L" to end of the P/N.
† Available with longer thread of 0.709". Add an "L" to end of the P/N.

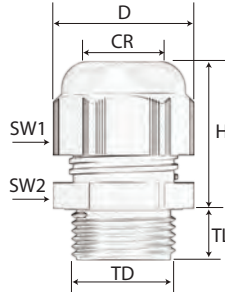
Polyamide 6 Cord Grips

CG 100 PG

Dome cap cord grip, black or gray with locknut

PG Thread

Liquid tight seal, fast and easy installation, wide clamping range, multi-purpose applications, easy handling.



Technical data:

Material:	Polyamide 6
Seal:	Chloroprene (CR)
Color:	RAL 7001 (gray) RAL 9005 (black)
Protection type:	IP 68 - 5 Bar NEMA 4X
Temperature range:	<i>permanent:</i> -20°C to +100°C <i>intermittent:</i> -30°C to +150°C
Flammability:	V2 (according to UL 94)
Approvals:	cURus, cULus, cCSAus, DNV-GL, CE

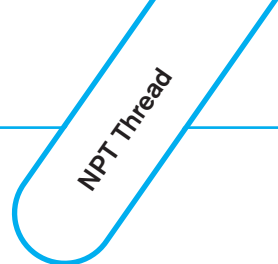


Part Number		Thread Type	Clamping Range Ø min-max (CR)		Outer Diameter (D) inches	Wrenching Flats		Thread Diameter		Thread Length (TL) inches	Max. Height (H) inches	UL
gray	black		inches	mm		Cap (SW1) inches	Body (SW2) inches	inches	mm			
PG												
PPG-7	PPB-7	PG 7	0.118 - 0.256	3.0 - 6.5	0.669	0.591	0.591	0.492	12.5	0.315	0.996	cURus
PPG-9	PPB-9	PG 9	0.157 - 0.315	4.0 - 8.0	0.854	0.748	0.748	0.598	15.2	0.315	1.079	cURus
PPG-11	PPB-11	PG 11	0.197 - 0.394	5.0 - 10.0	0.984	0.866	0.866	0.732	18.6	0.315	1.268	cURus
PPG-13	PPB-13	PG 13.5	0.236 - 0.472	6.0 - 12.0	1.063	0.945	0.945	0.803	20.4	0.394	1.276	cULus
PPG-16	PPB-16	PG 16	0.394 - 0.551	10.0 - 14.0	1.217	1.063	1.063	0.886	22.5	0.394	1.256	cULus
PPG-21	PPB-21	PG 21	0.512 - 0.709	13.0 - 18.0	1.465	1.299	1.299	1.114	28.3	0.433	1.512	cULus
PPG-29	PPB-29	PG 29	0.709 - 0.984	18.0 - 25.0	1.854	1.654	1.654	1.457	37.0	0.433	1.705	cULus
PPG-36	PPB-36	PG 36	0.866 - 1.260	22.0 - 32.0	2.346	2.087	2.087	1.850	47.0	0.512	2.063	cULus
PPG-42	PPB-42	PG 42	1.181 - 1.496	30.0 - 38.0	2.669	2.362	2.362	2.126	54.0	0.512	2.157	cULus
PPG-48	PPB-48	PG 48	1.339 - 1.732	34.0 - 44.0	2.850	2.559	2.559	2.335	59.3	0.551	2.161	cULus
PG with Reducer Bushings												
PPG-7R	PPB-7R	PG 7	0.079 - 0.197	2.0 - 5.0	0.669	0.591	0.591	0.492	12.5	0.315	0.996	cURus
PPG-9R	PPB-9R	PG 9	0.079 - 0.236	2.0 - 6.0	0.854	0.748	0.748	0.598	15.2	0.315	1.079	cURus
PPG-11R	PPB-11R	PG 11	0.118 - 0.276	3.0 - 7.0	0.984	0.866	0.866	0.732	18.6	0.315	1.268	cURus
PPG-13R	PPB-13R	PG 13.5	0.197 - 0.354	5.0 - 9.0	1.063	0.945	0.945	0.803	20.4	0.394	1.276	cULus
PPG-16R	PPB-16R	PG 16	0.276 - 0.472	7.0 - 12.0	1.217	1.063	1.063	0.886	22.5	0.394	1.256	cULus
PPG-21R	PPB-21R	PG 21	0.354 - 0.630	9.0 - 16.0	1.465	1.299	1.299	1.114	28.3	0.433	1.512	cULus
PPG-29R	PPB-29R	PG 29	0.472 - 0.787	12.0 - 20.0	1.854	1.654	1.654	1.457	37.0	0.433	1.705	cULus
PPG-36R	PPB-36R	PG 36	0.787 - 1.024	20.0 - 26.0	2.346	2.087	2.087	1.850	47.0	0.512	2.063	cULus
PPG-42R	PPB-42R	PG 42	0.984 - 1.220	25.0 - 31.0	2.669	2.362	2.362	2.126	54.0	0.512	2.157	cULus
PPG-48R	PPB-48R	PG 48	1.142 - 1.378	29.0 - 35.0	2.850	2.559	2.559	2.335	59.3	0.551	2.161	cULus

Polyamide 6 Cord Grips

CG 100 NPT

Dome cap cord grip, black or gray



Liquid tight seal, fast and easy installation, wide clamping range, multi-purpose applications, easy handling.

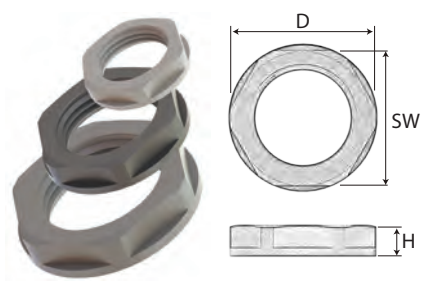


Technical data:	
Material:	Polyamide 6
Seal:	Chloroprene (CR)
Color:	RAL 7001 (gray) RAL 9005 (black)
Protection type:	IP 68 - 5 Bar NEMA 4X
Temperature range:	permanent: -20°C to +100°C intermittent: -30°C to +150°C
Flammability:	V2 (according to UL 94)
Approvals:	cURus, cULus, cCSAus, DNV-GL, CE



Part Number		Thread Type	Clamping Range Ø min-max (CR)		Outer Diameter (D) inches	Wrenching Flats		Thread Diameter (TD)		Thread Length (TL) inches	Max. Height (H) inches	UL
gray	black		inches	mm		Cap (SW1) inches	Body (SW2) inches	inches	mm			
NPT												
PNG-3/8	PNB-3/8	NPT 3/8	0.197 - 0.394	5.0 - 10.0	0.984	0.866	0.866	0.675	17.2	0.591	1.268	cURus
PNG-1/2	PNB-1/2	NPT 1/2	0.236 - 0.472	6.0 - 12.0	1.063	0.945	0.945	0.840	21.3	0.591	1.276	cULus
PNG-1/2C	PNB-1/2C	NPT 1/2	0.394 - 0.551	10.0 - 14.0	1.217	1.063	1.063	0.840	21.3	0.591	1.256	cULus
PNG-3/4	PNB-3/4	NPT 3/4	0.512 - 0.709	13.0 - 18.0	1.465	1.299	1.299	1.050	26.7	0.591	1.512	cULus
PNG-1	PNB-1	NPT 1	0.709 - 0.984	18.0 - 25.0	1.854	1.654	1.654	1.315	33.4	0.709	1.705	cULus
NPT with Reducer Bushings												
PNG-3/8R	PNB-3/8R	NPT 3/8	0.118 - 0.276	3.0 - 7.0	0.984	0.866	0.866	0.675	17.2	0.591	1.268	cURus
PNG-1/2R	PNB-1/2R	NPT 1/2	0.197 - 0.354	5.0 - 9.0	1.063	0.945	0.945	0.840	21.3	0.591	1.276	cULus
PNG-1/2RC	PNB-1/2RC	NPT 1/2	0.276 - 0.472	7.0 - 12.0	1.217	1.063	1.063	0.840	21.3	0.591	1.256	cULus
PNG-3/4R	PNB-3/4R	NPT 3/4	0.354 - 0.630	9.0 - 16.0	1.465	1.299	1.299	1.050	26.7	0.591	1.512	cULus
PNG-1R	PNB-1R	NPT 1	0.472 - 0.787	12.0 - 20.0	1.854	1.654	1.654	1.315	33.4	0.709	1.705	cULus

Locknuts need to be purchased separately,



Part Number		Thread Type	Height		Diameter		Wrenching Flats	
gray	black		inches	mm	inches	mm	inches	mm
LNG-3/8	LNB-3/8	NPT 3/8	0.276	7	0.984	25	0.866	22
LNG-1/2	LNB-1/2	NPT 1/2	0.276	7	1.201	30.5	1.063	27
LNG-3/4	LNB-3/4	NPT 3/4	0.276	7	1.476	37.5	1.299	33
LNG-1	LNB-1	NPT 1	0.276	7	1.819	46.2	1.614	41

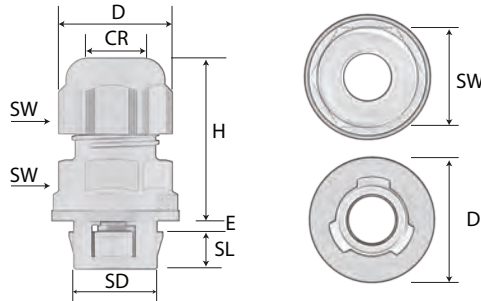
Polyamide 6 Cord Grips

CG 150 Snap-In Glands

Dome cap cord grip, black or gray without threads

Without Threads

Liquid tight seal, fast and easy installation, wide clamping range, multi-purpose applications, easy handling.

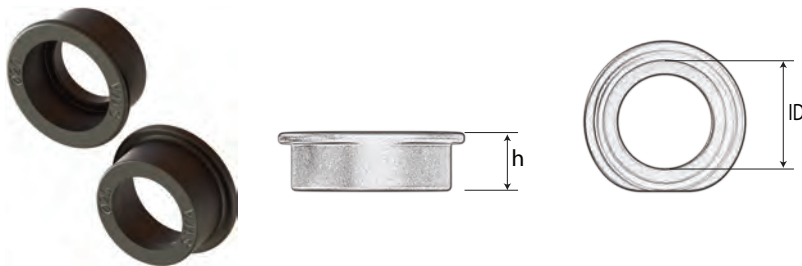


Technical data:	
Material:	Polyamide 6
Seal & Gasket:	Chloroprene (CR)
Wall Thickness (E):	0.5 - 4.0 mm
Color:	RAL 7001 (gray) RAL 9005 (black)
Protection type:	IP 68 - 5 Bar NEMA 4X
Temperature range:	permanent: -20°C to +100°C intermittent: -30°C to +150°C
Flammability:	V2 (according to UL 94)
Approvals:	cURus, VDE, DNV-GL, CE

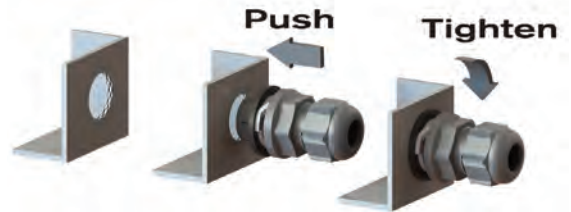


Part Number		Seal Type	Clamping Range Ø min-max (CR)		Snap Length (SL)	Snap Ø (SD)	Mounting Hole Ø	Wrenching Flats Cap & Body (SW)	Outer Ø (D)	Max. Height (H)	UL
gray	black		inches	mm							
PMSG-16	PMSB-16	Single	0.197 - 0.394	5.0 - 10.0	0.354	0.626	0.638 - 0.646	0.866	1.043	1.752	cURus
PMSG-16DS	PMSB-16DS	Double*	0.118 - 0.394	3.0 - 10.0	0.354	0.626	0.638 - 0.646	0.866	1.043	1.752	-
PMSG-20R	PMSB-20R	Single	0.236 - 0.472	6.0 - 12.0	0.354	0.783	0.795 - 0.803	0.945	1.193	1.713	cURus
PMSG-20	PMSB-20	Single	0.276 - 0.512	7.0 - 13.0	0.354	0.783	0.795 - 0.803	0.984	1.193	1.713	cURus
PMSG-20DS	PMSB-20DS	Double*	0.197 - 0.472	5.0 - 12.0	0.354	0.783	0.795 - 0.803	0.945	1.193	1.713	-
PMSG-20CDS	PMSB-20CDS	Double*	0.118 - 0.512	3.0 - 13.0	0.354	0.783	0.795 - 0.803	0.984	1.193	1.713	-
PMSG-25	MSB-25	Single	0.433 - 0.669	11.0 - 17.0	0.354	0.980	0.992 - 1.000	1.142	1.429	1.791	cURus
PMSG-25DS	PMSB-25DS	Double*	0.315 - 0.669	8.0 - 17.0	0.354	0.980	0.992 - 1.000	1.142	1.429	1.791	-
PMSG-32	PMSB-32	Single	0.591 - 0.827	15.0 - 21.0	0.354	1.256	1.268 - 1.276	1.417	1.701	2.028	cURus
PMSG-32DS	PMSB-32DS	Double*	0.433 - 0.827	11.0 - 21.0	0.354	1.256	1.268 - 1.276	1.417	1.701	2.028	-
PMSG-40 ¹	PMSB-40 ¹	Single	0.748 - 1.102	19.0 - 28.0	0.520	1.571	1.583 - 1.591	1.811	2.173	2.283	-
PMSG-40DS	PMSB-40DS	Double*	0.630 - 1.102	16.0 - 28.0	0.520	1.571	1.583 - 1.591	1.811	2.173	2.283	-

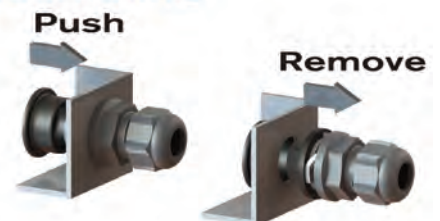
*Glands with double seals have no approval
¹PMSG-40 & PSMB-40 are not UL approved



Assembly



Disassembling



P/N	Gland Size	Height (h) mm
DTS-16	M16	13.0
DTS-20	M20	13.0
DTS-25	M25	13.0
DTS-32	M32	13.0
DTS-40	M40	15.5

Polyamide 6 Cord Grips

CG 200 Metric

Flex cap cord grip, black or gray

Metric Thread

Strain relief gland offers maximum protection against conductor fatigue caused by flexing cables.



Technical data:

Material:	Polyamide 6
Seal:	Chloroprene (CR)
Color:	RAL 7001 (gray) RAL 9005 (black)
Protection type:	IP 68 - 5 Bar NEMA 4X
Temperature range:	<i>permanent:</i> -20°C to +100°C <i>intermittent:</i> -30°C to +150°C
Flammability:	V2 (according to UL 94)
Approvals:	cURus, cULus, cCSAus, VDE, DNV-GL, CE



Part Number		Thread Type	Clamping Range Ø min-max (CR)		Outer Diameter (D) inches	Wrenching Flats Cap & Body (SW)		Thread Diameter (TD)		Thread Length (TL) inches	Max. Height (H) inches	UL
gray	black		inches	mm		inches	mm	inches	mm			
Metric												
FMG-12	FMB-12	M12x1.5	0.118 - 0.256	3.0 - 6.5	0.654	0.591	15	0.472	12	0.315	2.283	cURus
FMG-12L	FMB-12L	M12x1.5	0.118 - 0.256	3.0 - 6.5	0.654	0.591	15	0.472	12	0.591	2.283	—
FMG-16	FMB-16	M16x1.5	0.197 - 0.394	5.0 - 10.0	0.988	0.866	22	0.630	16	0.394	3.276	cURus
FMG-16L	FMB-16L	M16x1.5	0.197 - 0.394	5.0 - 10.0	0.988	0.866	22	0.630	16	0.591	3.276	cURus
FMG-20	FMB-20	M20x1.5	0.236 - 0.472	6.0 - 12.0	1.087	0.945	24	0.787	20	0.394	3.799	cULus
FMG-20L	FMB-20L	M20x1.5	0.236 - 0.472	6.0 - 12.0	1.087	0.945	24	0.787	20	0.591	3.799	cULus
FMG-20C	FMB-20C	M20x1.5	0.394 - 0.551	10.0 - 14.0	1.201	1.063	27	0.787	20	0.394	4.189	cULus
FMG-20CL	FMB-20CL	M20x1.5	0.394 - 0.551	10.0 - 14.0	1.201	1.063	27	0.787	20	0.591	4.189	cULus
FMG-25	FMB-25	M25x1.5	0.512 - 0.709	13.0 - 18.0	1.488	1.299	33	0.984	25	0.394	4.681	cULus
FMG-25L	FMB-25L	M25x1.5	0.512 - 0.709	13.0 - 18.0	1.488	1.299	33	0.984	25	0.591	4.681	cULus
Metric with Reducer Bushings												
FMG-12R	FMB-12R	M12x1.5	0.079 - 0.197	2.0 - 5.0	0.654	0.591	15	0.472	12	0.315	2.283	cURus
FMG-12RL	FMB-12RL	M12x1.5	0.079 - 0.197	2.0 - 5.0	0.654	0.591	15	0.472	12	0.591	2.283	—
FMG-16R	FMB-16R	M16x1.5	0.118 - 0.276	3.0 - 7.0	0.988	0.866	22	0.630	16	0.394	3.276	cURus
FMG-16RL	FMB-16RL	M16x1.5	0.118 - 0.276	3.0 - 7.0	0.988	0.866	22	0.630	16	0.591	3.276	cURus
FMG-20R	FMB-20R	M20x1.5	0.197 - 0.354	5.0 - 9.0	1.087	0.945	24	0.787	20	0.394	3.799	cULus
FMG-20RL	FMB-20RL	M20x1.5	0.197 - 0.354	5.0 - 9.0	1.087	0.945	24	0.787	20	0.591	3.799	cULus
FMG-20RC	FMB-20RC	M20x1.5	0.276 - 0.472	7.0 - 12.0	1.201	1.063	27	0.787	20	0.394	4.189	cULus
FMG-20RCL	FMB-20RCL	M20x1.5	0.276 - 0.472	7.0 - 12.0	1.201	1.063	27	0.787	20	0.591	4.189	cULus
FMG-25R	FMB-25R	M25x1.5	0.354 - 0.63	9.0 - 16.0	1.488	1.299	33	0.984	25	0.394	4.681	cULus
FMG-25RL	FMB-25RL	M25x1.5	0.354 - 0.63	9.0 - 16.0	1.488	1.299	33	0.984	25	0.591	4.681	cULus

"L" indicates longer thread

Locknuts need to be purchased separately, see page 11

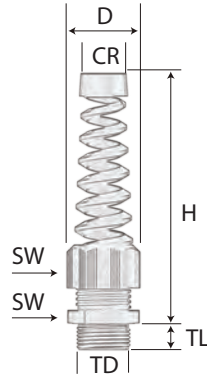
Polyamide 6 Cord Grips

CG 200 PG / CG 200 NPT

Flex cap cord grip, black or gray

PG & NPT Thread

Strain relief gland offers maximum protection against conductor fatigue caused by flexing cables.



Technical data:

Material:	Polyamide 6
Seal:	Chloroprene (CR)
Color:	RAL 7001 (gray) RAL 9005 (black)
Protection type:	IP 68 - 5 Bar NEMA 4X
Temperature range:	<i>permanent:</i> -20°C to +100°C <i>intermittent:</i> -30°C to +150°C
Flammability:	V2 (according to UL 94)
Approvals:	cURus, cULus, cCSAus, VDE, DNV-GL, CE



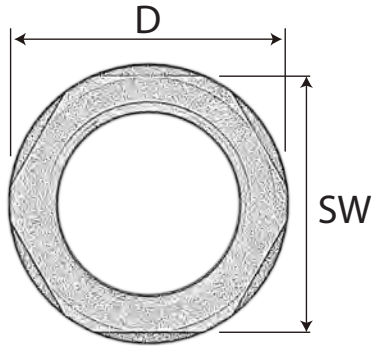
Part Number		Thread Type	Clamping Range Ø min-max (CR)		Outer Diameter (D) inches	Wrenching Flats Cap & Body (SW)		Thread Diameter (TD)		Thread Length (TL) inches	Max. Height (H) inches	UL
gray	black		inches	mm		inches	mm	inches	mm			
PG												
FPG-7	FPB-7	PG 7	0.118 - 0.256	3.0 - 6.5	0.654	0.591	15	0.492	12.5	0.315	2.283	cURus
FPG-9	FPB-9	PG 9	0.157 - 0.315	4.0 - 8.0	0.846	0.748	19	0.598	15.2	0.315	2.693	cURus
FPG-11	FPB-11	PG 11	0.197 - 0.394	5.0 - 10.0	0.988	0.866	22	0.732	18.6	0.315	3.276	cURus
FPG-13	FPB-13	PG 13.5	0.236 - 0.472	6.0 - 12.0	1.087	0.945	24	0.803	20.4	0.394	3.799	cULus
FPG-16	FPB-16	PG 16	0.394 - 0.551	10.0 - 14.0	1.201	1.063	27	0.886	22.5	0.394	4.189	cULus
FPG-21	FPB-21	PG 21	0.512 - 0.709	13.0 - 18.0	1.488	1.299	33	1.114	28.3	0.433	4.681	cULus
PG with Reducer Bushings												
FPG-7R	FPB-7R	PG 7	0.079 - 0.197	2.0 - 5.0	0.654	0.591	15	0.492	12.5	0.315	2.283	cURus
FPG-9R	FPB-9R	PG 9	0.079 - 0.236	2.0 - 6.0	0.846	0.748	19	0.598	15.2	0.315	2.693	cURus
FPG-11R	FPB-11R	PG 11	0.118 - 0.276	3.0 - 7.0	0.988	0.866	22	0.732	18.6	0.315	3.276	cURus
FPG-13R	FPB-13R	PG 13.5	0.197 - 0.354	5.0 - 9.0	1.087	0.945	24	0.803	20.4	0.394	3.799	cULus
FPG-16R	FPB-16R	PG 16	0.276 - 0.472	7.0 - 12.0	1.201	1.063	27	0.886	22.5	0.394	4.189	cULus
FPG-21R	FPB-21R	PG 21	0.354 - 0.630	9.0 - 16.0	1.488	1.299	33	1.114	28.3	0.433	4.681	cULus
NPT												
FNG-3/8	FNB-3/8	NPT 3/8	0.197 - 0.394	5.0 - 10.0	0.988	0.866	22	0.675	17.15	0.591	3.276	cURus
FNG-1/2	FNB-1/2	NPT 1/2	0.236 - 0.472	6.0 - 12.0	1.087	0.945	24	0.840	21.34	0.591	3.799	cULus
FNG-1/2C	FNB-1/2C	NPT 1/2	0.394 - 0.551	10.0 - 14.0	1.201	1.063	27	0.840	21.34	0.591	4.189	cULus
FNG-3/4	FNB-3/4	NPT 3/4	0.512 - 0.709	13.0 - 18.0	1.488	1.299	33	1.050	26.67	0.591	4.681	cULus
NPT with Reducer Bushings												
FNG-3/8R	FNB-3/8R	NPT 3/8	0.118 - 0.276	3.0 - 7.0	0.988	0.866	22	0.675	17.15	0.591	3.276	cURus
FNG-1/2R	FNB-1/2R	NPT 1/2	0.197 - 0.354	5.0 - 9.0	1.087	0.945	24	0.840	21.34	0.591	3.799	cULus
FNG-1/2RC	FNB-1/2RC	NPT 1/2	0.276 - 0.472	7.0 - 12.0	1.201	1.063	27	0.840	21.34	0.591	4.189	cULus
FNG-3/4R	FNB-3/4R	NPT 3/4	0.354 - 0.630	9.0 - 16.0	1.488	1.299	33	1.050	26.67	0.591	4.681	cULus

Locknuts need to be purchased separately, see page 11

Polyamide Locknuts

Hexagonal locknut, black or gray

Hexagonal locknuts made of polyamide, glass fiber reinforced.



Technical data:

Material:	Polyamide 6 (30% Glass Fiber reinforced)
Color:	RAL 7001 (gray) RAL 9005 (black)
Temperature range:	<i>permanent:</i> -20°C to +100°C <i>intermittent:</i> -30°C to +150°C
Flammability:	UL 94 HB

Part Number		Thread Type	Height (H)		Diameter (D)		Wrenching Flats (SW)	
gray	black		inches	mm	inches	mm	inches	mm
LMG-12	LMB-12	M12x1.5	0.197	5	0.768	19.5	0.709	18
LMG-16	LMB-16	M16x1.5	0.197	5	0.953	24.2	0.866	22
LMG-20	LMB-20	M20x1.5	0.236	6	1.126	28.6	1.024	26
LMG-25	LMB-25	M25x1.5	0.236	6	1.378	35.0	1.260	32
LMG-32	LMB-32	M32x1.5	0.276	7	1.815	46.1	1.614	41
LMG-40	LMB-40	M40x1.5	0.276	7	2.177	55.3	1.969	50
LMG-50	LMB-50	M50x1.5	0.315	8	2.587	65.7	2.362	60
LMG-63	LMB-63	M63x1.5	0.315	8	3.248	82.5	2.953	75
LMG-75	LMB-75	M75x2.0	0.591	15	3.701	94.0	3.346	85
PG								
LPG-7	LPB-7	PG 7	0.197	5	0.823	20.9	0.748	19
LPG-9	LPB-9	PG 9	0.197	5	0.941	23.9	0.866	22
LPG-11	LPB-11	PG 11	0.197	5	1.020	25.9	0.945	24
LPG-13	LPB-13	PG 13.5	0.236	6	1.138	28.9	1.063	27
LPG-16	LPB-16	PG 16	0.236	6	1.295	32.9	1.181	30
LPG-21	LPB-21	PG 21	0.276	7	1.528	38.8	1.417	36
LPG-29	LPB-29	PG 29	0.276	7	1.961	49.8	1.811	46
LPG-36	LPB-36	PG 36	0.315	8	2.587	65.7	2.362	60
LPG-42	LPB-42	PG 42	0.315	8	2.862	72.7	2.559	65
LPG-48	LPB-48	PG 48	0.315	8	3.059	77.7	2.756	70
NPT								
LNG-3/8	LNB-3/8	NPT 3/8	0.276	7	0.984	25	0.866	22
LNG-1/2	LNB-1/2	NPT 1/2	0.276	7	1.201	30.5	1.063	27
LNG-3/4	LNB-3/4	NPT 3/4	0.276	7	1.476	37.5	1.299	33
LNG-1	LNB-1	NPT 1	0.276	7	1.819	46.2	1.614	41

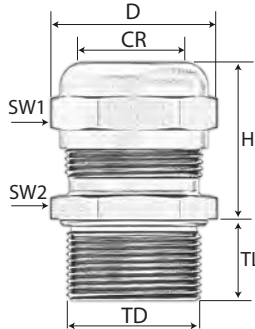
Metal Cable Glands

CG 300 Metric

Nickel plated brass cord grip with standard or longer thread

Metric Thread

Impact resistant, suitable for industrial applications, water tight, corrosion resistant.



Technical data:

Material:	Brass, Nickel Plated
Clamping Insert:	Polyamide 6
Seal:	Chloroprene (CR)
O-Ring:	Neoprene (NBR)
Protection type:	IP 68 - 5 Bar NEMA 4X
Temperature range:	
permanent:	-20°C to +100°C
intermittent:	-40°C to +150°C
Flammability:	V2 (according to UL 94)
Approvals:	cURus, cULus, DNV-GL, CE



Part Number	Part Number with long threads	Thread Type	Clamping Range Ø min-max		Outer Diameter (D) inches	Wrenching Flats		Thread Diameter (TD) inches	Thread Length (TL) inches	Long Thread Length (TL) inches	Max. Height (H) inches	UL
			(CR)			Cap	Body					
			inches	mm		(SW1) inches	(SW2) inches					
Metric												
MMS-12R ¹	MMS-12RL	M12x1.5	0.079 - 0.197	2.0 - 5.0	0.610	0.551	0.551	0.472	0.236	0.472	0.945	-
MMS-12 ¹	MMS-12L	M12x1.5	0.118 - 0.256	3.0 - 6.5	0.610	0.551	0.551	0.472	0.236	0.472	0.945	cURus
MMS-16R	MMS-16RL	M16x1.5	0.079 - 0.236	2.0 - 6.0	0.787	0.669	0.709	0.630	0.276	0.472	1.004	-
MMS-16	MMS-16L	M16x1.5	0.157 - 0.315	4.0 - 8.0	0.787	0.669	0.709	0.630	0.276	0.472	1.004	cURus
MMS-16RC	MMS-16RCL	M16x1.5	0.118 - 0.276	3.0 - 7.0	0.866	0.787	0.787	0.630	0.276	0.472	1.201	-
MMS-16C	MMS-16CL	M16x1.5	0.197 - 0.394	5.0 - 10.0	0.866	0.787	0.787	0.630	0.256	0.472	1.240	cURus
MMS-20R	MMS-20RL	M20x1.5	0.197 - 0.354	5.0 - 9.0	0.965	0.866	0.866	0.787	0.315	0.472	1.102	-
MMS-20	MMS-20L	M20x1.5	0.236 - 0.472	6.0 - 12.0	0.965	0.866	0.866	0.787	0.315	0.472	1.043	cULus
MMS-20C	MMS-20CL	M20x1.5	0.394 - 0.551	10.0 - 14.0	1.043	0.945	0.945	0.787	0.315	0.472	1.181	cULus
MMS-25R	MMS-25RL	M25x1.5	0.276 - 0.472	7.0 - 12.0	1.181	0.945	1.063	0.984	0.315	0.472	1.181	-
MMS-25*	MMS-25L	M25x1.5	0.394 - 0.551	10.0 - 14.0	1.181	0.945	1.063	0.984	0.315	0.472	1.181	cULus
MMS-25RC	MMS-25RCL	M25x1.5	0.433 - 0.669	11.0 - 17.0	1.181	1.063	1.063	0.984	0.315	0.472	1.280	cULus
MMS-25C	MMS-25CL	M25x1.5	0.512 - 0.709	13.0 - 18.0	1.299	1.181	1.181	0.984	0.315	0.472	1.378	cULus
MMS-32R	MMS-32RL	M32x1.5	0.354 - 0.630	9.0 - 16.0	1.476	1.181	1.339	1.260	0.354	0.591	1.378	-
MMS-32*	MMS-32L	M32x1.5	0.512 - 0.709	13.0 - 18.0	1.476	1.181	1.339	1.260	0.354	0.591	1.378	cULus
MMS-32RC	MMS-32RCL	M32x1.5	0.591 - 0.827	15.0 - 21.0	1.476	1.339	1.339	1.260	0.315	0.591	1.496	cULus
MMS-32C	MMS-32CL	M32x1.5	0.709 - 0.984	18.0 - 25.0	1.752	1.575	1.575	1.260	0.354	0.591	1.811	cULus
MMS-40R	MMS-40RL	M40x1.5	0.472 - 0.787	12.0 - 20.0	1.909	1.575	1.693	1.575	0.354	0.591	1.594	-
MMS-40*	MMS-40L	M40x1.5	0.709 - 0.984	18.0 - 25.0	1.909	1.575	1.693	1.575	0.354	0.591	1.594	cULus
MMS-40RC	MMS-40RCL	M40x1.5	0.748 - 1.102	19.0 - 28.0	1.909	1.693	1.693	1.575	0.354	0.591	1.791	cULus
MMS-40C	MMS-40CL	M40x1.5	0.866 - 1.260	22.0 - 32.0	2.185	1.969	1.969	1.575	0.354	0.591	2.146	cULus
MMS-50R	MMS-50RL	M50x1.5	0.787 - 1.024	20.0 - 26.0	2.402	1.969	2.165	1.969	0.354	0.591	1.969	-
MMS-50	MMS-50L	M50x1.5	0.866 - 1.260	22.0 - 32.0	2.402	1.969	2.165	1.969	0.354	0.591	1.969	cULus
MMS-50RC	MMS-50RCL	M50x1.5	1.063 - 1.496	27.0 - 38.0	2.520	2.283	2.283	1.969	0.354	0.591	2.126	cULus
MMS-50C	MMS-50CL	M50x1.5	1.339 - 1.732	34.0 - 44.0	2.756	2.520	2.520	1.969	0.354	0.591	2.165	cULus
MMS-63R	MMS-63RL	M63x1.5	1.142 - 1.378	29.0 - 35.0	2.953	2.520	2.677	2.480	0.551	0.709	2.165	-
MMS-63	MMS-63L	M63x1.5	1.339 - 1.732	34.0 - 44.0	2.953	2.520	2.677	2.480	0.551	0.709	2.165	cULus
MMS-63C	MMS-63CL	M63x1.5	1.457 - 2.087	37.0 - 53.0	3.268	2.953	2.953	2.480	63	0.709	2.087	cULus

* Other clamping ranges available

¹ Not NEMA 4X rated

Larger thread sizes (M72 to M120) available upon request

Locknuts need to be purchased separately, see page 28

Metal Cable Glands

CG 300 PG

Nickel plated brass cord grip with standard or longer thread

PG Thread

Impact resistant, suitable for industrial applications, water tight, corrosion resistant.



Technical data:	
Material:	Brass, Nickel Plated
Clamping Insert:	Polyamide 6
Seal:	Chloroprene (CR)
O-Ring:	Neoprene (NBR)
Protection type:	IP 68 - 5 Bar NEMA 4X
Temperature range:	permanent: -20°C to +100°C intermittent: -40°C to +150°C
Flammability:	V2 (according to UL 94)
Approvals:	cURus, cULus, DNV-GL, CE



Part Number	Part Number with long threads	Thread Type	Clamping Range Ø min-max		Outer Diameter (D) inches	Wrenching Flats		Thread Diameter (TD) inches	Thread Length (TL) inches	Long Thread Length (TL) inches	Max. Height (H) inches	UL
			(CR)			Cap	Body					
			inches	mm		(SW1) inches	(SW2) inches					
PG												
MPS-7	MPS-7L	PG 7	0.079 - 0.197	2.0 - 5.0	0.610	0.551	0.551	0.492	0.236	0.394	0.945	-
MPS-9R*	MPS-9RL	PG 9	0.118 - 0.256	3.0 - 6.5	0.610	0.551	0.551	0.492	0.236	0.394	0.945	cURus
MPS-9	MPS-9L	PG 9	0.079 - 0.236	2.0 - 6.0	0.744	0.669	0.669	0.598	0.236	0.394	1.004	-
MPS-11R*	MPS-11RL	PG 11	0.157 - 0.315	4.0 - 8.0	0.744	0.669	0.669	0.598	0.236	0.394	1.004	cURus
MPS-11	MPS-11L	PG 11	0.118 - 0.276	3.0 - 7.0	0.866	0.787	0.787	0.732	0.236	0.394	1.102	-
MPS-13R*	MPS-13RL	PG 13.5	0.197 - 0.394	5.0 - 10.0	0.866	0.787	0.787	0.732	0.236	0.394	1.102	cURus
MPS-13	MPS-13L	PG 13.5	0.197 - 0.354	5.0 - 9.0	0.965	0.866	0.866	0.803	0.256	0.394	1.043	-
MPS-16R*	MPS-16RL	PG 16	0.236 - 0.472	6.0 - 12.0	0.965	0.866	0.866	0.803	0.256	0.394	1.043	cULus
MPS-16	MPS-16L	PG 16	0.276 - 0.472	7.0 - 12.0	1.043	0.945	0.945	0.886	0.256	0.394	1.181	-
MPS-21R*	MPS-21RL	PG 21	0.394 - 0.551	10.0 - 14.0	1.043	0.945	0.945	0.886	0.256	0.394	1.181	cULus
MPS-21	MPS-21L	PG 21	0.354 - 0.630	9.0 - 16.0	1.299	1.181	1.181	1.114	0.283	0.472	1.378	-
MPS-29R*	MPS-29RL	PG 29	0.512 - 0.709	13.0 - 18.0	1.299	1.181	1.181	1.114	0.283	0.472	1.378	cULus
MPS-29	MPS-29L	PG 29	0.472 - 0.787	12.0 - 20.0	1.752	1.575	1.575	1.457	0.315	0.472	1.594	-
MPS-36R*	MPS-36RL	PG 36	0.709 - 0.984	18.0 - 25.0	1.752	1.575	1.575	1.457	0.315	0.472	1.594	cULus
MPS-36	MPS-36L	PG 36	0.787 - 1.024	20.0 - 26.0	2.185	1.969	1.969	1.850	0.354	0.551	1.969	-
MPS-42R*	MPS-42RL	PG 42	0.866 - 1.260	22.0 - 32.0	2.185	1.969	1.969	1.850	0.354	0.551	1.969	cULus
MPS-42	MPS-42L	PG 42	0.984 - 1.220	25.0 - 31.0	2.520	2.283	2.283	2.126	0.472	0.630	2.008	-
MPS-48R*	MPS-48RL	PG 48	1.181 - 1.496	30.0 - 38.0	2.520	2.283	2.283	2.126	0.472	0.630	2.008	cULus
MPS-48	MPS-48L	PG 48	1.142 - 1.378	29.0 - 35.0	2.756	2.520	2.520	2.335	0.551	0.709	2.146	-

* R versions are not NEMA 4X rated

Locknuts need to be purchased separately, see page 28

Metal Cable Glands

CG 300 NPT

Nickel plated brass cord grip

NPT Thread

Impact resistant, suitable for industrial applications, water tight, corrosion resistant.



Technical data:

Material:	Brass, Nickel Plated
Clamping Insert:	Polyamide 6
Seal:	Chloroprene (CR)
O-Ring:	Neoprene (NBR)
Protection type:	IP 68 - 5 Bar NEMA 4X
Temperature range:	<i>permanent:</i> -20°C to +100°C <i>intermittent:</i> -40°C to +150°C
Flammability:	V2 (according to UL 94)
Approvals:	cURus, cULus, DNV-GL, CE



Part Number	Thread Type	Clamping Range Ø min-max		Outer Diameter (D) inches	Wrenching Flats		Thread Diameter (TD) inches	Thread Length (TL) inches	Max. Height (H) inches	UL
		inches	mm		Cap (SW1) inches	Body (SW2) inches				
NPT										
MNS-3/8R	NPT 3/8	0.079 - 0.236	2.0 - 6.0	0.827	0.669	0.748	0.675	0.453	1.004	-
MNS-3/8RC	NPT 3/8	0.118 - 0.276	3.0 - 7.0	0.866	0.787	0.787	0.675	0.453	1.240	-
MNS-3/8*	NPT 3/8	0.157 - 0.315	4.0 - 8.0	0.827	0.669	0.748	0.675	0.453	1.004	cURus
MNS-3/8C*	NPT 3/8	0.197 - 0.394	5.0 - 10.0	0.866	0.787	0.787	0.675	0.453	1.240	cURus
MNS-1/2R	NPT 1/2	0.197 - 0.354	5.0 - 9.0	0.965	0.866	0.866	0.840	0.512	1.083	-
MNS-1/2*	NPT 1/2	0.236 - 0.472	6.0 - 12.0	0.965	0.866	0.866	0.840	0.512	1.083	cULus
MNS-1/2RC	NPT 1/2	0.276 - 0.472	7.0 - 12.0	1.055	0.945	0.945	0.840	0.512	1.181	-
MNS-1/2C*	NPT 1/2	0.394 - 0.551	10.0 - 14.0	1.055	0.945	0.945	0.840	0.512	1.181	cULus
MNS-3/4R	NPT 3/4	0.354 - 0.630	9.0 - 16.0	1.299	1.181	1.181	1.050	0.512	1.496	-
MNS-3/4*	NPT 3/4	0.512 - 0.709	13.0 - 18.0	1.299	1.181	1.181	1.050	0.512	1.496	cULus
MNS-1R	NPT 1	0.472 - 0.787	12.0 - 20.0	1.909	1.575	1.693	1.315	0.512	1.791	-
MNS-1*	NPT 1	0.709 - 0.984	18.0 - 25.0	1.909	1.575	1.693	1.315	0.512	1.791	cULus
MNS-1 1/4	NPT 1 1/4	0.866 - 1.260	22.0 - 32.0	2.185	1.969	1.969	1.660	1.008	1.969	cULus
MNS-1 1/2	NPT 1 1/2	1.181 - 1.496	30.0 - 38.0	2.520	2.283	2.283	1.902	1.024	2.008	cULus
MNS-2	NPT-2	1.339 - 1.732	34.0 - 44.0	2.756	2.520	2.520	2.375	1.063	2.165	-

* NEMA 4X rated

Locknuts need to be purchased separately, see page 28

Metal Cable Glands

CG 350 Metric

Stainless steel cord grip, SS303 or SS316

Metric Thread

Impact resistant, suitable for industrial and food and beverage applications, water tight, corrosion resistant.



Technical data:

Material:	Stainless steel (AISI 303) or AISI (316L)
Clamping Insert:	Polyamide 6
Seal:	Chloroprene (CR)
O-Ring:	Neoprene (NBR)
Protection type:	IP 68 - 5 Bar NEMA 4X
Temperature range:	
<i>permanent:</i>	-20°C to +100°C
<i>intermittent:</i>	-40°C to +150°C
Flammability:	V2 (according to UL 94)
Approvals:	cURus, cULus, VDE, DNV-GL, CE



Part Number		Thread Type	Clamping Range Ø min-max		Outer Diameter (D) inches	Wrenching Flats		Thread Diameter (TD) inches	Thread Length (TL) inches	Long Thread Length (TL) inches	Max. Height (H) inches	UL
Standard	Long Threads		(CR) inches	mm		Cap (SW1) inches	Body (SW2) inches					
Metric												
SM3-12R	SM3-12RL	M12x1.5	0.079 - 0.197	2.0 - 5.0	0.610	0.551	0.551	0.472	0.236	0.472	0.945	-
SM3-12	SM3-12L	M12x1.5	0.118 - 0.256	3.0 - 6.5	0.610	0.551	0.551	0.472	0.236	0.472	0.945	cURus
SM3-16R	SM3-16RL	M16x1.5	0.118 - 0.276	3.0 - 7.0	0.965	0.866	0.866	0.630	0.276	0.472	1.201	-
SM3-16	SM3-16L	M16x1.5	0.157 - 0.315	4.0 - 8.0	0.827	0.669	0.748	0.630	0.276	0.472	1.004	cURus
SM3-16C	SM3-16CL	M16x1.5	0.197 - 0.394	5.0 - 10.0	0.965	0.866	0.866	0.630	0.276	0.472	1.201	cURus
SM3-20R	SM3-20RL	M20x1.5	0.197 - 0.354	5.0 - 9.0	0.965	0.866	0.866	0.787	0.315	0.472	1.043	-
SM3-20	SM3-20L	M20x1.5	0.236 - 0.472	6.0 - 12.0	0.965	0.866	0.866	0.787	0.315	0.472	1.043	cULus
SM3-20C	SM3-20CL	M20x1.5	0.394 - 0.551	10.0 - 14.0	1.043	0.945	0.945	0.787	0.315	0.472	1.181	cULus
SM3-25R	SM3-25RL	M25x1.5	0.276 - 0.472	7.0 - 12.0	1.181	0.945	1.063	0.984	0.315	0.472	1.181	-
SM3-25	SM3-25L	M25x1.5	0.394 - 0.551	10.0 - 14.0	1.181	0.945	1.063	0.984	0.315	0.472	1.181	cULus
SM3-25C	SM3-25CL	M25x1.5	0.512 - 0.709	13.0 - 18.0	1.299	1.181	1.181	0.984	0.315	0.472	1.378	cULus
SM3-32R	SM3-32RL	M32x1.5	0.354 - 0.63	9.0 - 16.0	1.567	1.181	1.417	1.260	0.354	0.591	1.378	-
SM3-32	SM3-32L	M32x1.5	0.512 - 0.709	13.0 - 18.0	1.567	1.181	1.417	1.260	0.354	0.591	1.378	cULus
SM3-32C	SM3-32CL	M32x1.5	0.709 - 0.984	18.0 - 25.0	1.791	1.614	1.614	1.260	0.354	0.591	1.555	cULus
SM3-40R-2	SM3-40RL-2	M40x1.5	0.472 - 0.787	12.0 - 20.0	2.024	1.614	1.811	1.575	0.354	0.591	1.594	-
SM3-40R	SM3-40RL	M40x1.5	0.63 - 0.906	16.0 - 23.0	2.024	1.811	1.811	1.575	0.354	0.591	1.791	-
SM3-40	SM3-40L	M40x1.5	0.709 - 0.984	18.0 - 25.0	2.024	1.614	1.811	1.575	0.354	0.591	1.594	cULus
SM3-40C	SM3-40CL	M40x1.5	0.866 - 1.260	22.0 - 32.0	2.185	1.969	1.969	1.575	0.354	0.591	2.008	cULus
SM3-50R	SM3-50RL	M50x1.5	0.787 - 1.024	20.0 - 26.0	2.402	1.969	2.165	1.969	0.354	0.591	1.969	-
SM3-50	SM3-50L	M50x1.5	0.866 - 1.260	22.0 - 32.0	2.402	1.969	2.165	1.969	0.354	0.591	1.969	cULus
SM3-50C	SM3-50CL	M50x1.5	1.063 - 1.496	27.0 - 38.0	2.618	2.362	2.362	1.969	0.354	0.591	2.126	cULus
SM3-50C-2	SM3-50CL-2	M50x1.5	1.339 - 1.732	34.0 - 44.0	2.795	2.559	2.559	1.969	0.354	0.591	2.165	cULus
SM3-63R	SM3-63RL	M63x1.5	1.142 - 1.378	29.0 - 35.0	3.031	2.559	2.756	2.480	0.551	0.709	2.165	-
SM3-63	SM3-63L	M63x1.5	1.339 - 1.732	34.0 - 44.0	3.031	2.559	2.756	2.480	0.551	0.709	2.165	cULus
SM3-63C	SM3-63CL	M63x1.5	1.457 - 2.087	37.0 - 53.0	3.268	2.953	2.953	2.480	0.394	0.709	2.087	cULus

Stainless steel locknut available upon request
* for SS316, change PN from SM3-XX to SM6-XX

Locknuts need to be purchased separately, see page 28

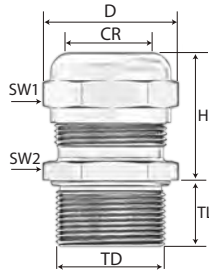
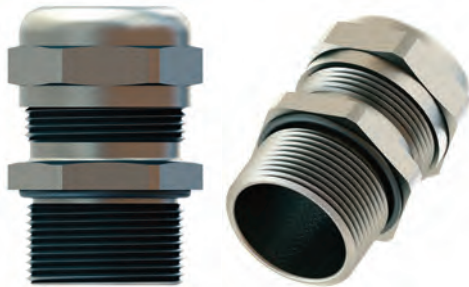
Metal Cable Glands

CG 350 PG

Stainless steel cord grip, SS303 or SS316

PG Thread

Impact resistant, suitable for industrial and food and beverage applications, water tight, corrosion resistant.



Technical data:

Material:	Stainless steel (AISI 303) or AISI 316L
Clamping Insert:	Polyamide 6
Seal:	Chloroprene (CR)
O-Ring:	Neoprene (NBR)
Protection type:	IP 68 - 5 Bar; NEMA 4X
Temperature range:	
<i>permanent:</i>	-20°C to +100°C
<i>intermittent:</i>	-40°C to +150°C
Flammability:	V2 (according to UL 94)
Approvals:	cURus, cULus, DNV-GL, CE



Part Number		Thread Type	Clamping Range Ø min-max		Outer Diameter (D) inches	Wrenching Flats		Thread Diameter (TD) inches	Thread Length (TL) inches	Max. Height (H) inches	UL
SS 303	SS 316		(CR)			Cap (SW1) inches	Body (SW2) inches				
			inches	mm							
SP3-7R	SP6-7R	PG 7	0.079 - 0.197	2.0 - 5.0	0.610	0.551	0.551	0.492	0.236	0.945	-
SP3-7RL	SP6-7RL	PG 7	0.079 - 0.197	2.0 - 5.0	0.610	0.551	0.551	0.492	0.394	0.945	-
SP3-7	SP6-7	PG 7	0.118 - 0.256	3.0 - 6.5	0.610	0.551	0.551	0.492	0.236	0.945	cURus
SP3-7L	SP6-7L	PG 7	0.118 - 0.256	3.0 - 6.5	0.610	0.551	0.551	0.492	0.394	0.945	-
SP3-9R	SP6-9R	PG 9	0.079 - 0.236	2.0 - 6.0	0.827	0.669	0.748	0.598	0.236	1.004	-
SP3-9RL	SP6-9RL	PG 9	0.079 - 0.236	2.0 - 6.0	0.827	0.669	0.748	0.598	0.394	1.004	-
SP3-9	SP6-9	PG 9	0.157 - 0.315	4.0 - 8.0	0.827	0.669	0.748	0.598	0.236	1.004	cURus
SP3-9L	SP6-9L	PG 9	0.157 - 0.315	4.0 - 8.0	0.827	0.669	0.748	0.598	0.394	1.004	-
SP3-11R	SP6-11R	PG 11	0.118 - 0.276	3.0 - 7.0	0.945	0.866	0.866	0.732	0.236	1.083	-
SP3-11RL	SP6-11RL	PG 11	0.118 - 0.276	3.0 - 7.0	0.945	0.866	0.866	0.732	0.394	1.083	-
SP3-11	SP6-11	PG 11	0.197 - 0.394	5.0 - 10.0	0.945	0.866	0.866	0.732	0.236	1.083	cURus
SP3-11L	SP6-11L	PG 11	0.197 - 0.394	5.0 - 10.0	0.945	0.866	0.866	0.732	0.394	1.083	-
SP3-13R	SP6-13R	PG 13.5	0.197 - 0.354	5.0 - 9.0	0.945	0.866	0.866	0.803	0.256	1.024	-
SP3-13RL	SP6-13RL	PG 13.5	0.197 - 0.354	5.0 - 9.0	0.945	0.866	0.866	0.803	0.394	1.024	-
SP3-13	SP6-13	PG 13.5	0.236 - 0.472	6.0 - 12.0	0.945	0.866	0.866	0.803	0.256	1.024	cULus
SP3-13L	SP6-13L	PG 13.5	0.236 - 0.472	6.0 - 12.0	0.945	0.866	0.866	0.803	0.394	1.024	-
SP3-16R	SP6-16R	PG 16	0.276 - 0.472	7.0 - 12.0	1.043	0.945	0.945	0.886	0.256	1.181	-
SP3-16RL	SP6-16RL	PG 16	0.276 - 0.472	7.0 - 12.0	1.043	0.945	0.945	0.886	0.394	1.181	-
SP3-16	SP6-16	PG 16	0.394 - 0.551	10.0 - 14.0	1.043	0.945	0.945	0.886	0.256	1.181	cULus
SP3-16L	SP6-16L	PG 16	0.394 - 0.551	10.0 - 14.0	1.043	0.945	0.945	0.886	0.394	1.181	-
SP3-21R	SP6-21R	PG 21	0.354 - 0.630	9.0 - 16.0	1.299	1.181	1.181	1.114	0.283	1.378	-
SP3-21RL	SP6-21RL	PG 21	0.354 - 0.630	9.0 - 16.0	1.299	1.181	1.181	1.114	0.472	1.378	-
SP3-21	SP6-21	PG 21	0.512 - 0.709	13.0 - 18.0	1.299	1.181	1.181	1.114	0.283	1.378	cULus
SP3-21L	SP6-21L	PG 21	0.512 - 0.709	13.0 - 18.0	1.299	1.181	1.181	1.114	0.472	1.378	-
SP3-29R	SP6-29R	PG 29	0.472 - 0.787	12.0 - 20.0	1.791	1.614	1.614	1.457	0.315	1.594	-
SP3-29RL	SP6-29RL	PG 29	0.472 - 0.787	12.0 - 20.0	1.791	1.614	1.614	1.457	0.472	1.594	-
SP3-29	SP6-29	PG 29	0.709 - 0.984	18.0 - 25.0	1.791	1.614	1.614	1.457	0.315	1.594	cULus
SP3-29L	SP6-29L	PG 29	0.709 - 0.984	18.0 - 25.0	1.791	1.614	1.614	1.457	0.472	1.594	-
SP3-36R	SP6-36R	PG 36	0.787 - 1.024	20.0 - 26.0	2.185	1.969	1.969	1.850	0.354	1.969	-
SP3-36RL	SP6-36RL	PG 36	0.787 - 1.024	20.0 - 26.0	2.185	1.969	1.969	1.850	0.551	1.969	-
SP3-36	SP6-36	PG 36	0.866 - 1.260	22.0 - 32.0	2.185	1.969	1.969	1.850	0.354	1.969	cULus
SP3-36L	SP6-36L	PG 36	0.866 - 1.260	22.0 - 32.0	2.185	1.969	1.969	1.850	0.551	1.969	-
SP3-42R	SP6-42R	PG 42	0.984 - 1.220	25.0 - 31.0	2.618	2.362	2.362	2.126	0.472	2.008	-
SP3-42RL	SP6-42RL	PG 42	0.984 - 1.220	25.0 - 31.0	2.618	2.362	2.362	2.126	0.630	2.008	-
SP3-42	SP6-42	PG 42	1.181 - 1.496	30.0 - 38.0	2.618	2.362	2.362	2.126	0.472	2.008	cULus
SP3-42L	SP6-42L	PG 42	1.181 - 1.496	30.0 - 38.0	2.618	2.362	2.362	2.126	0.630	2.008	-
SP3-48R	SP6-48R	PG 48	1.142 - 1.378	29.0 - 35.0	2.835	2.559	2.559	2.335	0.551	2.146	-
SP3-48RL	SP6-48RL	PG 48	1.142 - 1.378	29.0 - 35.0	2.835	2.559	2.559	2.335	0.709	2.146	-
SP3-48	SP6-48	PG 48	1.339 - 1.732	34.0 - 44.0	2.835	2.559	2.559	2.335	0.551	2.146	-
SP3-48L	SP6-48L	PG 48	1.339 - 1.732	34.0 - 44.0	2.835	2.559	2.559	2.335	0.709	2.146	-

Stainless steel locknut available upon request

Cord Grips & Accessories

CG 350 NPT

Stainless steel cord grip, SS303 or SS316

NPT Thread

Impact resistant, suitable for industrial and food and beverage applications, water tight, corrosion resistant.



Technical data:

Material:	Stainless steel (AISI 303) or AISI 316L
Clamping Insert:	Polyamide 6
Seal:	Chloroprene (CR)
O-Ring:	Neoprene (NBR)
Protection type:	IP 68 - 5 Bar
Temperature range:	
<i>permanent:</i>	-20°C to +100°C
<i>intermittent:</i>	-40°C to +150°C
Flammability:	V2 (according to UL 94)
Approvals:	cURus, cULus, DNV-GL, CE



Part Number		Thread Type	Clamping Range Ø min-max (CR)		Outer Diameter (D) inches	Wrenching Flats		Thread Diameter (TD) inches	Thread Length (TL) inches	Max. Height (H) inches	UL
SS 303	SS 316		inches	mm		Cap (SW1) inches	Body (SW2) inches				
NPT											
SN3-3/8R	SN6-3/8R	NPT 3/8	0.079 - 0.236	2.0 - 6.0	0.827	0.669	0.748	0.675	0.453	1.004	-
SN3-3/8	SN6-3/8	NPT 3/8	0.157 - 0.315	4.0 - 8.0	0.827	0.669	0.748	0.675	0.453	1.004	cURus
SN3-3/8RC	SN6-3/8RC	NPT 3/8	0.118 - 0.276	3.0 - 7.0	0.945	0.866	0.787	0.675	0.453	1.240	-
SN3-3/8C	SN6-3/8C	NPT 3/8	0.197 - 0.394	5.0 - 10.0	0.945	0.866	0.787	0.675	0.453	1.240	cURus
SN3-1/2R	SN6-1/2R	NPT 1/2	0.197 - 0.354	5.0 - 9.0	1.181	0.866	1.063	0.840	0.512	1.220	-
SN3-1/2	SN6-1/2	NPT 1/2	0.236 - 0.472	6.0 - 12.0	1.181	0.866	1.063	0.840	0.512	1.220	cULus
SN3-1/2RC	SN6-1/2RC	NPT 1/2	0.276 - 0.472	7.0 - 12.0	1.043	0.945	0.945	0.840	0.512	1.181	-
SN3-1/2C	SN6-1/2C	NPT 1/2	0.394 - 0.551	10.0 - 14.0	1.043	0.945	0.945	0.840	0.512	1.181	cULus
SN3-3/4R	SN6-3/4R	NPT 3/4	0.354 - 0.630	9.0 - 16.0	1.299	1.181	1.181	1.050	0.512	1.496	-
SN3-3/4	SN6-3/4	NPT 3/4	0.512 - 0.709	13.0 - 18.0	1.299	1.181	1.181	1.050	0.512	1.496	cULus
SN3-1R	SN6-1R	NPT 1	0.472 - 0.787	12.0 - 20.0	1.791	1.614	1.614	1.315	0.512	1.791	-
SN3-1	SN6-1	NPT 1	0.709 - 0.984	18.0 - 25.0	1.791	1.614	1.614	1.315	0.512	1.791	cULus
SN3-1 1/4	SN6-1 1/4	NPT 1 1/4	0.866 - 1.260	22.0 - 32.0	2.185	1.969	1.969	1.660	1.008	2.008	-
SN3-1 1/2	SN6-1 1/2	NPT 1 1/2	1.181 - 1.496	30.0 - 38.0	2.618	2.362	2.362	1.900	1.024	1.969	-
SN3-2	SN6-2	NPT 2	1.339 - 1.732	34.0 - 44.0	2.835	2.559	2.559	2.375	1.063	2.165	-

Stainless steel locknut available upon request

Locknuts need to be purchased separately, see page 28

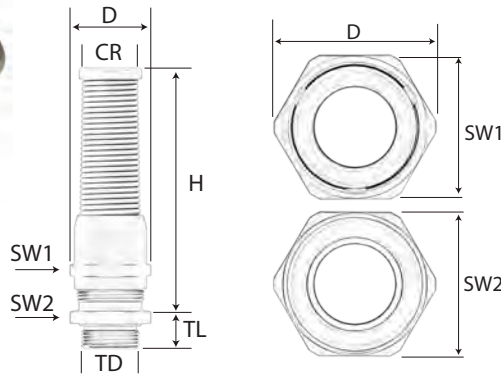
Cord Grips & Accessories

CG 325 Metric & PG Metal Flex Glands

Metal gland with spiral top for bending support

Metric & PG Thread

Strain relief gland offers maximum protection against conductor fatigue caused by flexing



Technical data:

Material:	Brass, Nickel Plated
Clamping Insert:	Polyamide 6
Seal:	Chloroprene (CR)
Bending Spiral:	Stainless steel (AISI 301)
O-ring	Neoprene (NBR)
Protection type:	IP 68 - 5 Bar
Temperature range:	
<i>permanent:</i>	-20°C to +100°C
<i>intermittent:</i>	-40°C to +150°C
Flammability:	V2 (according to UL 94)

Part Number	Thread Type	Clamping Range Ø min-max		Outer Ø (D)	Wrenching Flats		Thread Diameter		Thread Length		Max. Height (H)
		(CR)			Cap (SW1)	Body (SW2)	(TD)		(TL)		
		inches	mm				inches	mm	inches	mm	
Metric											
MMF-12	M12x1.5	0.118 - 0.256	3.0 - 6.5	0.610	0.472	0.551	0.472	12	0.236	6.0	2.362
MMF-16R	M16x1.5	0.118 - 0.276	3.0 - 7.0	0.866	0.630	0.787	0.630	16	0.256	6.5	3.031
MMF-16	M16x1.5	0.197 - 0.394	5.0 - 10.0	0.866	0.630	0.787	0.630	16	0.256	6.5	3.031
MMF-20R	M20x1.5	0.197 - 0.354	5.0 - 9.0	0.965	0.787	0.866	0.787	20	0.315	8.0	3.425
MMF-20	M20x1.5	0.236 - 0.472	6.0 - 12.0	0.965	0.787	0.866	0.787	20	0.315	8.0	3.425
MMF-20C	M20x1.5	0.394 - 0.551	10.0 - 14.0	1.043	0.787	0.945	0.787	20	0.315	8.0	3.602
MMF-25R	M25x1.5	0.276 - 0.472	7.0 - 12.0	1.181	0.984	0.945	0.984	25	0.315	8.0	3.602
MMF-25	M25x1.5	0.394 - 0.551	10.0 - 14.0	1.181	0.984	0.945	0.984	25	0.315	8.0	3.602
MMF-32R	M32x1.5	0.354 - 0.63	9.0 - 16.0	1.476	1.260	1.181	1.260	32	0.354	9.0	3.780
MMF-32	M32x1.5	0.512 - 0.709	13.0 - 18.0	1.476	1.260	1.181	1.260	32	0.354	9.0	3.780
PG											
MPF-11R	PG 11	0.118 - 0.276	3.0 - 7.0	0.866	0.787	0.787	0.732	19	0.236	6.0	2.894
MPF-11	PG 11	0.197 - 0.394	5.0 - 10.0	0.866	0.787	0.787	0.732	19	0.236	6.0	2.894
MPF-13R	PG 13	0.197 - 0.354	5.0 - 9.0	0.965	0.866	0.866	0.803	20	0.256	6.5	3.386
MPF-13	PG 13	0.236 - 0.472	6.0 - 12.0	0.965	0.866	0.866	0.803	20	0.256	6.5	3.386
MFP-16R	PG 16	0.276 - 0.472	7.0 - 12.0	1.043	0.945	0.945	0.886	23	0.256	6.5	3.602
MFP-16	PG 16	0.394 - 0.551	10.0 - 14.0	1.043	0.945	0.945	0.886	23	0.256	6.5	3.602
MFP-21R	PG 21	0.354 - 0.630	9.0 - 16.0	1.299	1.181	1.181	1.114	28	0.283	7.2	3.799
MFP-21	PG 21	0.512 - 0.709	13.0 - 18.0	1.299	1.181	1.181	1.114	28	0.283	7.2	3.799

EMC Grounding Cable Glands

CG EMC-2 & CG EMC-4

Overview

The EMC cable glands combine several advantages into one product. With the EMC gland, you get the same clamping range as a normal brass gland with a protection class of IP 68 and the added feature of EMC grounding springs to quickly ground a shielded cable to a metal enclosure or motor. To create the ground path, remove 5-10 mm of the jacket to expose the braid and position the gland on the cable. The large surface of the fingers come in contact with the braid to provide a completed grounding connection. Furthermore, the EMC design will give you a low impedance electrical contact between the body and the cable braid without having to open the gland. The shielding for electromagnetic purposes will be perfect by just tightening the gland delivered in a ready to use assembly.

CG EMC-2



CG EMC-4



- Optimal grounding of shielded cable
- One direction installation
- Impact resistant
- Suitable for the highest demands of today's technology
- Easy installation
- Easy handling
- High corrosion resistance
- Water tight
- Strain relief

- Optimal grounding of shielded cable
- Bi-directional installation
- Impact resistant
- Free radial and axial movement of the cable without any damage to the braid
- Easy installation
- Large contact surface of the fingers allowing low contact resistance
- High contact performance under vibrating conditions
- Water tight
- Strain relief

Installation instructions available see page 51

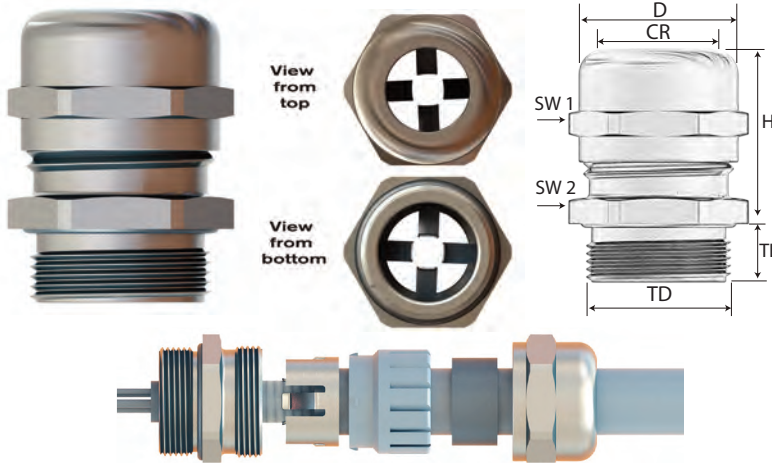
EMC Grounding Cable Glands

CG EMC-2 Metric

Nickel plated brass EMC cable gland, standard & longer thread

Metric Thread

Optimal grounding of shielded cable, easy installation, water tight, impact resistant.



Technical data:

Material:	Brass, Nickel Plated
Contact spring:	Special Copper Alloy
Clamping Insert:	Polyamide 6
Seal:	Chloroprene (CR)
O-Ring:	Neoprene (NBR)
Protection type:	IP 68 - 5 Bar NEMA 4X
Temperature range:	
<i>permanent:</i>	-20°C to +100°C
<i>intermittent:</i>	-40°C to +150°C
Flammability:	V2 (according to UL 94)
Approvals:	cURus, cULus, VDE, DNV-GL, CE



Part Number	Thread Type	Clamping Range Ø min-max (CR)		Outer Ø (D) inches	Shield Diameter (Ø min)		Wrenching Flats		Thread Diameter (TD) inches	Thread Length (TL) inches	Max. Height (H) inches	UL
		inches	mm		inches	mm	Cap (SW1) inches	Body (SW2) inches				
Metric												
EM2-12	M12x1.5	0.118 - 0.256	3.0 - 6.5	0.610	0.098	2.5	0.551	0.551	0.472	0.236	0.945	cURus
EM2-16	M16x1.5	0.157 - 0.315	4.0 - 8.0	0.787	0.138	3.5	0.669	0.709	0.630	0.276	1.004	cURus
EM2-16C	M16x1.5	0.197 - 0.394	5.0 - 10.0	0.866	0.157	4.0	0.787	0.787	0.630	0.256	1.240	cURus
EM2-20	M20x1.5	0.236 - 0.472	6.0 - 12.0	0.965	0.197	5.0	0.866	0.866	0.787	0.315	1.043	cURus
EM2-25	M25x1.5	0.394 - 0.551	10.0 - 14.0	1.181	0.335	8.5	0.945	1.063	0.984	0.315	1.181	cULus
EM2-25C	M25x1.5	0.512 - 0.709	13.0 - 18.0	1.299	0.433	11	1.181	1.181	0.984	0.315	1.575	cULus
EM2-32	M32x1.5	0.512 - 0.709	13.0 - 18.0	1.476	0.433	11	1.181	1.339	1.260	0.354	1.378	cULus
EM2-32C	M32x1.5	0.709 - 0.984	18.0 - 25.0	1.752	0.630	16	1.575	1.575	1.260	0.354	1.811	cULus
EM2-40	M40x1.5	0.709 - 0.984	18.0 - 25.0	1.909	0.630	16	1.575	1.693	1.575	0.354	1.594	cULus
EM2-40C	M40x1.5	0.866 - 1.260	22.0 - 32.0	2.185	0.787	20	1.969	1.969	1.575	0.354	2.146	cULus
EM2-50	M50x1.5	0.866 - 1.260	22.0 - 32.0	2.402	0.787	20	1.969	2.165	1.969	0.354	1.969	cULus
EM2-50C	M50x1.5	1.063 - 1.732	27.0 - 44.0	2.165	1.024	26	1.969	2.165	1.969	0.354	1.969	-
EM2-63	M63x1.5	1.339 - 1.732	34.0 - 44.0	2.953	1.220	31	2.520	2.677	2.480	0.551	2.165	cULus
Metric with Long Thread *												
EM2-12L	M12x1.5	0.118 - 0.256	3.0 - 6.5	0.610	0.098	2.5	0.551	0.551	0.472	0.472	0.945	-
EM2-16L	M16x1.5	0.157 - 0.315	4.0 - 8.0	0.787	0.138	3.5	0.669	0.709	0.630	0.472	1.004	-
EM2-20L	M20x1.5	0.236 - 0.472	6.0 - 12.0	0.965	0.197	5.0	0.866	0.866	0.787	0.472	1.043	-
EM2-25L	M25x1.5	0.394 - 0.551	10.0 - 14.0	1.181	0.335	8.5	0.945	1.063	0.984	0.472	1.181	-
EM2-32L	M32x1.5	0.512 - 0.709	13.0 - 18.0	1.476	0.433	11	1.181	1.339	1.260	0.591	1.378	-
EM2-40L	M40x1.5	0.709 - 0.984	18.0 - 25.0	1.909	0.630	16	1.575	1.693	1.575	0.591	1.594	-
EM2-50L	M50x1.5	0.866 - 1.260	22.0 - 32.0	2.402	0.787	20	1.969	2.165	1.969	0.591	1.969	-
EM2-63L	M63x1.5	1.339 - 1.732	34.0 - 44.0	2.953	1.220	31	2.520	2.677	2.480	0.709	2.165	-

* Long thread version is not NEMA 4X rated

Locknuts need to be purchased separately, see page 28

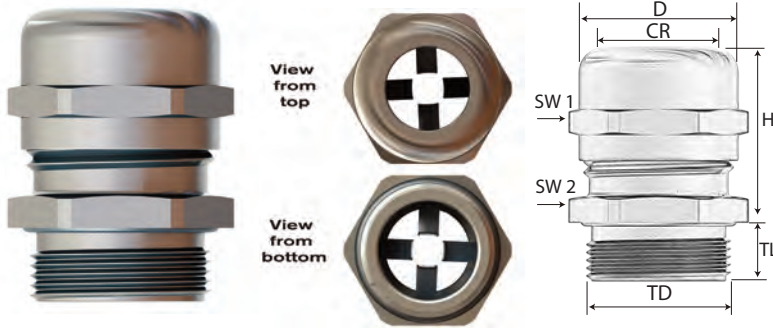
EMC Grounding Cable Glands

CG EMC-2 PG / CG EMC-2 NPT

Nickel plated brass EMC cable gland, standard & longer thread

PG & NPT
Thread

Optimal grounding of shielded cable, easy installation, water tight, impact resistant.



Technical data:

Material:	Brass, Nickel Plated
Contact spring:	Special Copper Alloy
Clamping Insert:	Polyamide 6
Seal:	Chloroprene (CR)
O-Ring:	Neoprene (NBR)
Protection type:	IP 68 - 5 Bar NEMA 4X
Temperature range:	<i>permanent:</i> -20°C to +100°C <i>intermittent:</i> -40°C to +150°C
Flammability:	V2 (according to UL 94)
Approvals:	cURus, cULus, DNV-GL, CE



Part Number	Thread Type	Clamping Range Ø min-max (CR)		Outer Ø (D) inches	Shield Diameter (Ø min)		Wrenching Flats		Thread Diameter (TD) inches	Thread Length (TL) inches	Max. Height (H) inches	UL
		inches	mm		inches	mm	Cap (SW1) inches	Body (SW2) inches				
PG												
EP2-7	PG 7	0.118 - 0.256	3.0 - 6.5	0.610	0.098	2.5	0.551	0.551	0.492	0.236	0.945	-
EP2-9	PG 9	0.157 - 0.315	4.0 - 8.0	0.744	0.138	3.5	0.669	0.669	0.598	0.236	1.004	cURus
EP2-11	PG 11	0.197 - 0.394	5.0 - 10.0	0.866	0.157	4.0	0.787	0.787	0.732	0.236	1.102	cURus
EP2-13	PG 13.5	0.236 - 0.472	6.0 - 12.0	0.965	0.197	5.0	0.866	0.866	0.803	0.256	1.043	cURus
EP2-16	PG 16	0.394 - 0.551	10.0 - 14.0	1.043	0.335	8.5	0.945	0.945	0.886	0.256	1.181	cULus
EP2-21	PG 21	0.512 - 0.709	13.0 - 18.0	1.299	0.433	11	1.181	1.181	1.114	0.283	1.378	cULus
EP2-29	PG 29	0.709 - 0.984	18.0 - 25.0	1.752	0.630	16	1.575	1.575	1.457	0.315	1.594	cULus
EP2-36	PG 36	0.866 - 1.26	22.0 - 32.0	2.185	0.787	20	1.969	1.969	1.850	0.354	1.969	cULus
EP2-42	PG 42	1.181 - 1.496	30.0 - 38.0	2.520	1.102	28	2.283	2.283	2.126	0.472	2.008	cULus
EP2-48	PG 48	1.339 - 1.732	34.0 - 44.0	2.756	1.220	31	2.520	2.520	2.335	0.551	2.165	cULus
PG with Long Thread*												
EP2-7L	PG 7	0.118 - 0.256	3.0 - 6.5	0.610	0.098	2.5	0.551	0.551	0.492	0.394	0.945	-
EP2-9L	PG 9	0.157 - 0.315	4.0 - 8.0	0.744	0.138	3.5	0.669	0.669	0.598	0.394	1.004	-
EP2-11L	PG 11	0.197 - 0.394	5.0 - 10.0	0.866	0.157	4.0	0.787	0.787	0.732	0.394	1.102	-
EP2-13L	PG 13.5	0.236 - 0.472	6.0 - 12.0	0.965	0.197	5.0	0.866	0.866	0.803	0.394	1.043	-
EP2-16L	PG 16	0.394 - 0.551	10.0 - 14.0	1.043	0.335	8.5	0.945	0.945	0.886	0.394	1.181	-
EP2-21L	PG 21	0.512 - 0.709	13.0 - 18.0	1.299	0.433	11	1.181	1.181	1.114	0.472	1.378	-
EP2-29L	PG 29	0.709 - 0.984	18.0 - 25.0	1.752	0.630	16	1.575	1.575	1.457	0.472	1.594	-
EP2-36L	PG 36	0.866 - 1.26	22.0 - 32.0	2.185	0.787	20	1.969	1.969	1.850	0.551	1.969	-
EP2-42L	PG 42	1.181 - 1.496	30.0 - 38.0	2.520	1.102	28	2.283	2.283	2.126	0.630	2.008	-
EP2-48L	PG 48	1.339 - 1.732	34.0 - 44.0	2.756	1.220	31	2.520	2.520	2.335	0.709	2.165	-
NPT												
EN2-3/8	NPT 3/8	0.197 - 0.394	5.0 - 10.0	0.866	0.157	4.0	0.787	0.787	0.675	0.453	1.240	cURus
EN2-1/2	NPT 1/2	0.236 - 0.472	6.0 - 12.0	0.965	0.197	5.0	0.866	0.866	0.840	0.512	1.083	cULus
EN2-3/4R*	NPT 3/4	0.354 - 0.630	9.0 - 16.0	1.299	0.335	8.5	1.181	1.181	1.050	0.512	1.496	cULus
EN2-3/4	NPT 3/4	0.512 - 0.709	13.0 - 18.0	1.299	0.433	11	1.181	1.181	1.050	0.512	1.496	cULus
EN2-1	NPT 1	0.709 - 0.984	18.0 - 25.0	1.909	0.630	16	1.575	1.693	1.315	0.512	1.791	cURus

* PG version and EN2-3/4R are not NEMA 4X rated

Locknuts need to be purchased separately, see page 28

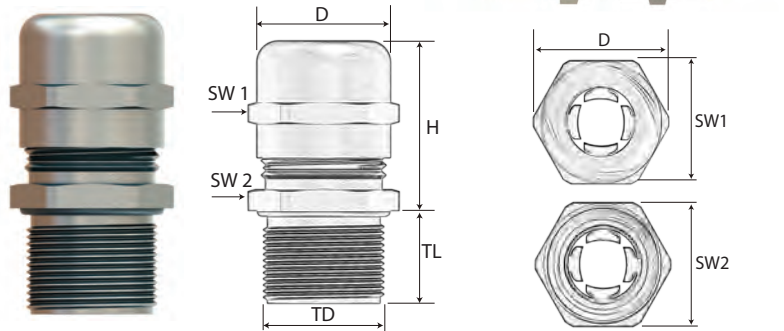
EMC Grounding Cable Glands

CG EMC-4 Metric / CG EMC-4 PG / CG EMC-4 NPT

Nickel plated brass EMC cable gland, vibration proof

Metric, PG, & NPT Thread

Optimal grounding of shielded cable, bi-directional cable installation, impact resistant.



Technical data:

Material:	Brass, Nickel Plated
Contact spring:	Special Copper Alloy
Clamping Insert:	Polyamide 6
Seal:	Chloroprene (CR)
O-Ring:	Neoprene (NBR)
Protection type:	IP 68 - 5 Bar NEMA 4X
Temperature range:	<i>permanent:</i> -20°C to +100°C <i>intermittent:</i> -40°C to +150°C
Flammability:	V2 (according to UL 94)
Approvals:	cURus, cULus, VDE, DNV-GL, CE



Part Number	Thread Type	Clamping Range Ø min-max (CR)		Outer Ø (D) inches	Shield Diameter (Ø min)		Wrenching Flats		Thread Diameter (TD) inches	Thread Length (TL) inches	Max. Height (H) inches	UL
		inches	mm		inches	mm	Cap (SW1) inches	Body (SW2) inches				
Metric												
EM4-12	M12x1.5	0.118 - 0.256	3.0 - 6.5	0.610	0.079	2.0	0.551	0.551	0.472	0.236	1.181	cURus
EM4-16	M16x1.5	0.197 - 0.394	5.0 - 10.0	0.866	0.138	3.5	0.787	0.787	0.630	0.236	1.378	cURus
EM4-20	M20x1.5	0.236 - 0.472	6.0 - 12.0	0.965	0.177	4.5	0.866	0.866	0.787	0.236	1.319	cULus
EM4-20C	M20x1.5	0.295 - 0.551	7.5 - 14.0	1.055	0.217	5.5	0.945	0.945	0.787	0.315	1.634	cULus
EM4-25	M25x1.5	0.394 - 0.709	10.0 - 18.0	1.299	0.276	7.0	1.181	1.181	0.984	0.315	1.752	cULus
EM4-32	M32x1.5	0.630 - 0.984	16.0 - 25.0	1.752	0.472	12	1.575	1.575	1.260	0.354	2.165	cULus
EM4-40	M40x1.5	0.866 - 1.260	22.0 - 32.0	2.185	0.709	18	1.969	1.969	1.575	0.354	2.461	cULus
EM4-50	M50x1.5	1.181 - 1.496	30.0 - 38.0	2.520	1.024	26	2.283	2.283	1.969	0.354	2.913	cULus
EM4-63	M63x1.5	1.339 - 1.732	34.0 - 44.0	2.953	1.181	30	2.520	2.677	2.480	0.551	2.362	cULus
EM4-63C	M63x1.5	1.457 - 2.087	37.0 - 53.0	3.268	1.299	33	2.953	2.953	2.480	0.394	2.953	cULus
PG^{1*}												
EP4-7	PG 7	0.118 - 0.256	3.0 - 6.5	0.650	0.079	2.0	0.551	0.591	0.492	0.236	1.181	-
EP4-11	PG 11	0.197 - 0.394	5.0 - 10.0	0.906	0.138	3.5	0.787	0.827	0.732	0.236	1.378	-
EP4-13	PG 13.5	0.236 - 0.472	6.0 - 12.0	0.965	0.177	4.5	0.866	0.866	0.803	0.256	1.319	-
EP4-16	PG 16	0.295 - 0.551	7.5 - 14.0	1.083	0.217	5.5	0.945	0.984	0.886	0.256	1.634	-
EP4-21	PG 21	0.394 - 0.709	10.0 - 18.0	1.398	0.276	7.0	1.181	1.260	1.114	0.276	1.752	-
EP4-29	PG 29	0.630 - 0.984	16.0 - 25.0	1.752	0.472	12	1.575	1.575	1.457	0.354	2.165	-
EP4-36	PG 36	0.866 - 1.26	22.0 - 32.0	2.185	0.709	18	1.969	1.969	1.850	0.354	2.441	-
EP4-42	PG 42	1.181 - 1.496	30.0 - 38.0	2.618	1.024	26	2.283	2.362	2.126	0.472	2.933	-
EP4-48	PG 48	1.339 - 1.732	34.0 - 44.0	2.953	1.181	30	2.520	2.677	2.335	0.551	2.382	-
NPT^{2*}												
EN4-1/4	NPT 1/4	0.118 - 0.256	3.0 - 6.5	0.650	0.079	2.0	0.551	0.591	0.540	0.453	1.181	-
EN4-3/8	NPT 3/8	0.197 - 0.394	5.0 - 10.0	0.866	0.138	3.5	0.787	0.787	0.675	0.453	1.378	-
EN4-1/2	NPT 1/2	0.236 - 0.472	6.0 - 12.0	0.965	0.177	4.5	0.866	0.866	0.840	0.591	1.555	cULus
EN4-1/2C	NPT 1/2	0.295 - 0.551	7.5 - 14.0	1.055	0.217	5.5	0.945	0.945	0.840	0.591	1.634	cULus
EN4-1/2C-2	NPT 1/2	0.295 - 0.551	7.5 - 14.0	1.055	0.217	5.5	0.945	0.945	0.840	0.314	1.634	cULus
EN4-3/4	NPT 3/4	0.394 - 0.709	10.0 - 18.0	1.299	0.276	7.0	1.181	1.181	1.050	0.591	1.713	cULus
EN4-1	NPT 1	0.630 - 0.984	16.0 - 25.0	1.752	0.472	12	1.575	1.575	1.315	0.787	2.126	cULus
EN4-1 1/4	NPT 1 1/4	0.866 - 1.260	22.0 - 32.0	2.185	0.709	18	1.969	1.969	1.660	0.787	2.480	cULus
EN4-1 1/2	NPT 1 1/2	1.181 - 1.496	30.0 - 38.0	2.520	1.024	26	2.283	2.283	1.900	0.866	2.874	cULus
EN4-2	NPT 2	1.339 - 1.732	34.0 - 44.0	2.953	1.181	30	2.520	2.677	2.375	0.866	0.866	cULus

¹ PG - DNV-GL & CE only

² NPT - cULus, DNV-GL & CE only

* PG & NPT are not NEMA 4X rated

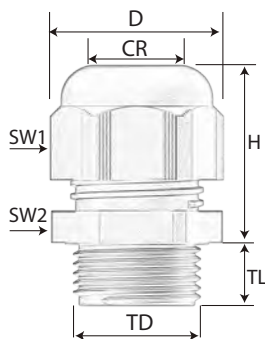
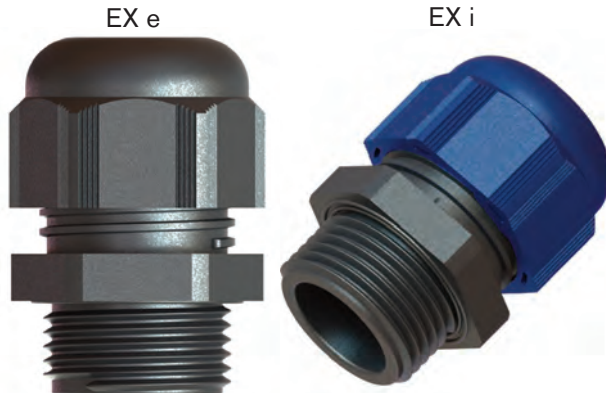
Locknuts need to be purchased separately, see page 28

Explosion Proof Glands

EX 100 Metric & NPT

Polyamide 6 EX e and EX i dome cap glands

Metric & NPT
Thread



Technical data:

Material:	Polyamide 6		
Seal:	Chloroprene (CR)		
Color:	Black (RAL 9005)		
Protection type:	IP 68 5 bar (30 min)		
Temperature range:	-40°C to +80°C		
<i>Ex e/tb / Ex tb:</i>	-40°C to +80°C		
<i>Ex i:</i>	-40°C to +70°C		
Suitable for use in:	Group II	Gas Group IIC	ZONE 1/ZONE 2
	Group III	Dust Group IIIc	ZONE 21/ZONE22
Equipment marking:	Ex II 2GD Ex eb IIC Gb Ex tb IIIC Db		
Marking example	BMD BM-X... CE 0722 2GD Ex eb IIC Gb Ex tb IIIC Db IP66/68 Ta-40°C +80°C IMQ 13 ATEX 010X IECEx IMQ 13.0003X		
Impact test result:	4J		

Approval	Certificate Number	Standards
ATEX	IMQ 13 ATEX 010X	EN 60079-0:2012+A11:2013; EN 60079-1:2014; EN 60079-7:2015; EN 60079-31:2014
IECEX	IECEX IMQ 13.0003X	IEC 60079-0:2011; IEC 60079-7:2016-07; IEC 60079-31:2013
TR RU	No TC RU C-TR. AA87B.00941	ГОСТ 31610.0-2014; ГОСТ IEC 60079-1:2013; ГОСТ IEC 60079-31:2013
IN METRO	DNV 18.0150 X	ABNT NBR IEC 60079-0:2013; ABNT NBR IEC 60079-7:2008; ABNT NBR IEC 60079-31:2011
MARINE	TAE00003WV	IEC/EN60079-0; IEC/EN60079-7; IEC/EN60079-31; IEC/EN 62444

Part Number	Thread Type	Clamping Range Ø min-max (CR)		Outer Diameter (D) inches	Wrenching Flats		Thread Diameter (TD)		Thread Length (TL)		Max. Height (H)	
		inches	mm		Cap (SW1) inches	Body (SW2) inches	inches	mm	inches	mm	inches	mm
Metric												
EXMP-20R	M20x1.5	0.197 - 0.394	5.0 - 10.0	1.063	0.866	0.945	0.787	20	0.394	10	1.268	32.2
EXMP-20	M20x1.5	0.236 - 0.472	6.0 - 12.0	1.063	0.945	0.945	0.787	20	0.394	10	1.276	32.4
EXMP-20L	M20x1.5	0.236 - 0.472	6.0 - 12.0	1.063	0.945	0.945	0.787	20	0.591	15	1.276	32.4
EXMP-20C	M20x1.5	0.394 - 0.551	10.0 - 14.0	1.217	1.063	1.063	0.787	20	0.394	10	1.256	31.9
EXMP-20CL	M20x1.5	0.394 - 0.551	10.0 - 14.0	1.217	1.063	1.063	0.787	20	0.591	15	1.256	31.9
EXMP-25R	M25x1.5	0.394 - 0.551	10.0 - 14.0	1.217	1.063	1.063	0.984	25	0.394	10	1.256	31.9
EXMP-25RL	M25x1.5	0.394 - 0.551	10.0 - 14.0	1.217	1.063	1.063	0.984	25	0.591	15	1.256	31.9
EXMP-25	M25x1.5	0.433 - 0.669	11.0 - 17.0	1.280	1.142	1.142	0.984	25	0.394	10	1.484	37.7
EXMP-25CL	M25x1.5	0.512 - 0.709	13.0 - 18.0	1.465	1.299	1.299	0.984	25	0.591	15	1.512	38.4
EXMP-25C	M25x1.5	0.512 - 0.709	13.0 - 18.0	1.465	1.299	1.299	0.984	25	0.394	10	1.512	38.4
EXMP-32R	M32x1.5	0.512 - 0.709	13.0 - 18.0	1.614	1.299	1.417	1.260	32	0.394	10	1.512	38.4
EXMP-32	M32x1.5	0.591 - 0.827	15.0 - 21.0	1.614	1.417	1.417	1.260	32	0.394	10	1.665	42.3
EXMP-32C	M32x1.5	0.709 - 0.984	18.0 - 25.0	1.854	1.654	1.654	1.260	32	0.591	15	1.705	43.3
EXMP-40	M40x1.5	0.748 - 1.102	19.0 - 28.0	2.063	1.811	1.811	1.575	40	0.394	10	1.866	47.4
EXMP-40C	M40x1.5	0.866 - 1.260	22.0 - 32.0	2.346	2.087	2.087	1.575	40	0.709	18	2.063	52.4
EXMP-50	M50x1.5	1.181 - 1.496	30.0 - 38.0	2.669	2.362	2.362	1.969	50	0.709	18	2.157	54.8
EXMP-63	M63x1.5	1.339 - 1.732	34.0 - 44.0	2.850	2.559	2.559	2.480	63	0.709	18	2.161	54.9
NPT												
EXNP-1/2R	NPT 1/2	0.197 - 0.394	5.0 - 10.0	1.063	0.866	0.945	0.840	21	0.591	15	1.268	32.2
EXNP-1/2	NPT 1/2	0.236 - 0.472	6.0 - 12.0	1.063	0.945	0.945	0.840	21	0.591	15	1.276	32.4
EXNP-1/2C	NPT 1/2	0.394 - 0.551	10.0 - 14.0	1.217	1.063	1.063	0.840	21	0.591	15	1.256	31.9
EXNP-3/4	NPT 3/4	0.512 - 0.709	13.0 - 18.0	1.465	1.299	1.299	1.050	27	0.591	15	1.512	38.4
EXNP-1	NPT 1	0.709 - 0.984	18.0 - 25.0	1.854	1.654	1.654	1.315	33	0.709	18	1.705	43.3

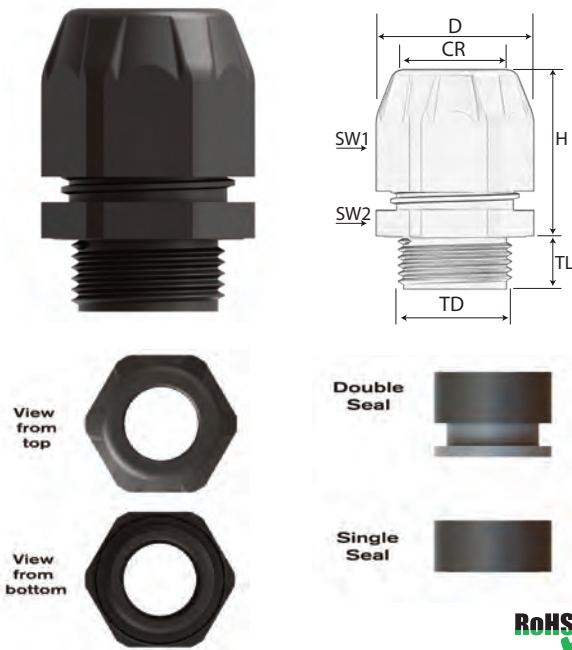
¹ for Ex i, replace the P with an I, ex. EXMP-20R > EXMI-20R

Explosion Proof Glands

EX 150 Metric

High Impact Polyamide 6 EX e dome cap glands

Metric Thread



Technical data:

Material:	Polyamide 6		
Seal	Chloroprene (CR)		
Color:	Black (RAL 9005)		
Protection type:	IP 68 5 bar (30 min)		
Temperature range: <i>Ex e/tb / Ex tb / Ex i:</i>	-40°C to +70°C		
Suitable for use in:	Group II	Gas Group IIC	ZONE 1/ZONE 2
	Group III	Dust Group IIC	ZONE 21/ZONE22
Equipment marking:	Ex II 2GD; Ex eb IIC Gb Ex tb IIIC Db		
Marking example	BMD EHBM-X... CE 0722 ⚡ 2GD Ex eb IIC Gb Ex tb IIIC Db Ta-40°C +70°C IP66/68 IECEX IMQ 13.0003X IMQ 13 ATEX 010		
Impact test result:	7		

Approval	Certificate Number	Standards
ATEX	IMQ 13 ATEX 010X	EN 60079-0:2012+A11:2013; EN 60079-1:2014; EN 60079-7:2015; EN 60079-31:2014
IECEX	IECEX IMQ 13.0003X	IEC 60079-0:2011; IEC 60079-7:2016-07; IEC 60079-31:2013
TR RU	No TC RU C-TR. AA87B.00941	ГОСТ 31610.0-2014; ГОСТ IEC 60079-1:2013; ГОСТ IEC 60079-31:2013
IN METRO	DNV 18.0150 X	ABNT NBR IEC 60079-0:2013; ABNT NBR IEC 60079-7:2008; ABNT NBR IEC 60079-31:2011
MARINE	TAE00003WV	IEC/EN60079-0; IEC/EN60079-7; IEC/EN60079-31; IEC/EN 62444

Part Number	Thread Type	Seal Type	Clamping Range Ø min-max (CR)		Outer Diameter (D) inches	Wrenching Flats		Thread Diameter (TD)		Thread Length (TL) inches	Max. Height (H) inches
			inches	mm		Cap (SW1) inches	Body (SW2) inches	inches	mm		
			Metric								
EXMH-12R	M12x1.5	Double	0.118 - 0.256	3.0 - 6.5	0.669	0.591	0.591	0.472	12	0.394	1.193
EXMH-12	M12x1.5	Single	0.157 - 0.256	4.0 - 6.5	0.669	0.591	0.591	0.472	12	0.394	1.193
EXMH-16R	M16x1.5	Double	0.157 - 0.315	4.0 - 8.0	0.839	0.748	0.748	0.630	16	0.394	1.323
EXMH-16C	M16x1.5	Double	0.157 - 0.394	4.0 - 10.0	0.984	0.866	0.866	0.630	16	0.394	1.465
EXMH-16	M16x1.5	Single	0.197 - 0.315	5.0 - 8.0	0.839	0.748	0.748	0.630	16	0.394	1.323
EXMH-16CL	M16x1.5	Single	0.236 - 0.394	6.0 - 10.0	0.984	0.866	0.866	0.630	16	0.591	1.465
EXMH-20R	M20x1.5	Double	0.157 - 0.512	4.0 - 13.0	1.083	0.984	0.984	0.787	20	0.394	1.512
EXMH-20	M20x1.5	Single	0.236 - 0.394	6.0 - 10.0	1.083	0.866	0.945	0.787	20	0.394	1.465
EXMH-20L	M20x1.5	Single	0.236 - 0.472	6.0 - 12.0	1.083	0.945	0.945	0.787	20	0.591	1.488
EXMH-20CL	M20x1.5	Single	0.276 - 0.472	7.0 - 12.0	1.083	0.945	0.945	0.787	20	0.591	1.488
EXMH-20CL-2	M20x1.5	Double	0.315 - 0.551	8.0 - 14.0	1.220	1.063	1.063	0.787	20	0.591	1.457
EXMH-20CL-3	M20x1.5	Single	0.433 - 0.551	11.0 - 14.0	1.220	1.063	1.063	0.787	20	0.591	1.457
EXMH-25R	M25x1.5	Double	0.354 - 0.669	9.0 - 17.0	1.280	1.142	1.142	0.984	25	0.591	1.661
EXMH-25	M25x1.5	Double	0.394 - 0.709	10.0 - 18.0	1.457	1.299	1.299	0.984	25	0.591	1.717
EXMH-25C	M25x1.5	Single	0.472 - 0.669	12.0 - 17.0	1.280	1.142	1.142	0.984	25	0.591	1.661
EXMH-25C-2	M25x1.5	Single	0.551 - 0.709	14.0 - 18.0	1.457	1.299	1.299	0.984	25	0.591	1.717
EXMH-32R	M32x1.5	Double	0.472 - 0.827	12.0 - 21.0	1.614	1.417	1.417	1.260	32	0.591	1.862
EXMH-32	M32x1.5	Single	0.551 - 0.709	14.0 - 18.0	1.614	1.299	1.417	1.260	32	0.394	1.717
EXMH-32C	M32x1.5	Double	0.551 - 0.984	14.0 - 25.0	1.870	1.654	1.654	1.260	32	0.591	1.917
EXMH-32C-2	M32x1.5	Single	0.630 - 0.827	16.0 - 21.0	1.614	1.417	1.417	1.260	32	0.591	1.862
EXMH-32C-3	M32x1.5	Single	0.748 - 0.984	19.0 - 25.0	1.870	1.654	1.654	1.260	32	0.591	1.917
EXMH-40R	M40x1.5	Double	0.669 - 1.102	17.0 - 28.0	2.047	1.811	1.811	1.575	40	0.591	2.063
EXMH-40	M40x1.5	Single	0.787 - 1.102	20.0 - 28.0	2.047	1.811	1.811	1.575	40	0.591	2.063
EXMH-40C	M40x1.5	Double	0.827 - 1.260	21.0 - 32.0	2.362	2.087	2.087	1.575	40	0.709	2.280
EXMH-40C-2	M40x1.5	Single	0.906 - 1.260	23.0 - 32.0	2.362	2.087	2.087	1.575	40	0.709	2.280
EXMH-50R	M50x1.5	Double	0.866 - 1.496	22.0 - 38.0	2.657	2.362	2.362	1.969	50	0.709	2.366
EXMH-50	M50x1.5	Single	1.220 - 1.496	31.0 - 38.0	2.657	2.362	2.362	1.969	50	0.709	2.366
EXMH-63R	M63x1.5	Double	1.102 - 1.732	28.0 - 44.0	2.835	2.559	2.559	2.480	63	0.709	2.378
EXMH-63	M63x1.5	Single	1.378 - 1.732	35.0 - 44.0	2.835	2.559	2.559	2.480	63	0.709	2.378

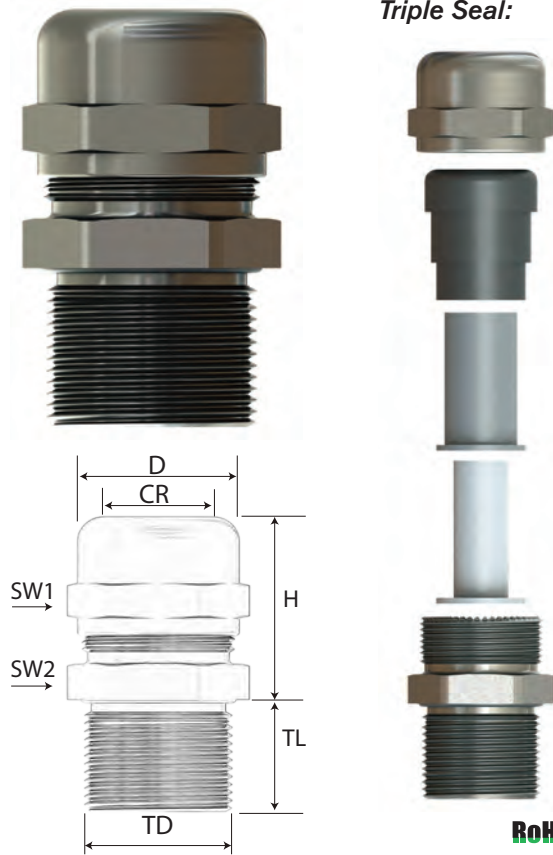
Explosion Proof Glands

EX 300 Metric

Nickel Plated Brass EX e & EX d dome cap glands for Non-armored cables

Metric Thread

Triple Seal:



Technical data:			
Material:	Nickel Plated Brass		
Seal:	Chloroprene (CR)		
Seal type:	Triple		
O-ring:	Chloroprene (CR)		
Protection type:	IP 68 5 bar (30 min)		
Temperature range:	-40°C to +80°C		
Ex d/tb:	-40°C to +80°C		
Ex e/tb:	-40°C to +80°C		
Suitable for use in:	Group II	Gas Group IIC	ZONE 1/ZONE 2
	Group III	Dust Group IIIC	ZONE 21/ZONE22
Equipment marking:	Ex II 2GD Ex db IIC Gb Ex eb IIC Gb Ex tb IIIC Db		
Marking example	BMD EBU.. CE 0722 ⚠ II 2GD Ex db IIC Gb Ex eb IIC Gb Ex tb IIIC Db Ta -40°C to +80°C IP66/68 IECEx CES 13.0006X CESI 13 ATEX 018X		

Approval	Certificate Number	Standards
ATEX	IMQ 13 ATEX 018X	EN 60079-0:2018; EN 60079-1:2014; EN 60079-7:2015; EN 60079-31:2014
IECEX	IECEX IMQ 13.0006X	IEC 60079-0:2017 Ed. 7; IEC 60079-7:2015 Ed. 5; IEC 60079-31:2013 Ed. 2; IEC 60079-1:2014 Ed. 7
UL	E474828_VOL.1_SEC.1 E199260_VOL.3_SEC.1	UL 2225 UL 514B; UL50E
TR RU	No TC RU C-TR. AA87B.00941	ГОСТ 31610.0-2014; ГОСТ IEC 60079-1:2013; ГОСТ IEC 60079-31:2013
IN METRO	DNV 21.0183 X	ABNT NBR IEC 60079-0:2013; ABNT NBR IEC 60079-7:2008; ABNT NBR IEC 60079-31:2011; ABNT NBR IEC 60079-1:2009
MARINE	TAE00003WU	IEC/EN60079-0; IEC/EN60079-7; IEC/EN60079-31; IEC/EN60079-1

Part Number	Thread Type	Clamping Range Ø min-max		Outer Diameter (D) inches	Wrenching Flats		Thread Diameter		Thread Length EX e min. ¹ (TL) inches	Thread Length EX d/e min. (TL) inches	Max. Height (H) inches
		(CR)			(SW1) inches	(SW2) inches	(TD) inches	mm			
		inches	mm								
Metric											
EXMM-12	M12x1.5	0.157 - 0.315	4.0 - 8.0	0.965	0.866	0.866	0.472	12	0.354	0.630	1.299
EXMM-16	M16x1.5	0.157 - 0.472	4.0 - 12.0	0.965	0.866	0.866	0.630	16	0.354	0.630	1.299
EXMM-20	M20x1.5	0.157 - 0.472	4.0 - 12.0	0.965	0.866	0.866	0.787	20	0.354	0.630	1.142
EXMM-20C	M20x1.5	0.394 - 0.630	10.0 - 16.0	1.220	1.102	1.102	0.787	20	0.354	0.630	1.260
EXMM-25R	M25x1.5	0.157 - 0.472	4.0 - 12.0	1.220	0.866	1.102	0.984	25	0.354	0.630	1.142
EXMM-25	M25x1.5	0.394 - 0.709	10.0 - 18.0	1.220	1.102	1.102	0.984	25	0.354	0.630	1.280
EXMM-25C	M25x1.5	0.551 - 0.787	14.0 - 20.0	1.535	1.378	1.378	0.984	25	0.354	0.630	1.417
EXMM-32R	M32x1.5	0.394 - 0.709	10.0 - 18.0	1.535	1.102	1.378	1.260	32	0.354	0.630	1.280
EXMM-32	M32x1.5	0.551 - 0.945	14.0 - 24.0	1.535	1.378	1.378	1.260	32	0.354	0.630	1.378
EXMM-32C	M32x1.5	0.866 - 1.102	22.0 - 28.0	1.949	1.772	1.772	1.260	32	0.354	0.630	1.673
EXMM-40R	M40x1.5	0.551 - 0.945	14.0 - 24.0	1.949	1.378	1.772	1.575	40	0.354	0.709	1.378
EXMM-40	M40x1.5	0.866 - 1.260	22.0 - 32.0	1.949	1.772	1.772	1.575	40	0.354	0.709	1.673
EXMM-40C	M40x1.5	1.024 - 1.339	26.0 - 34.0	2.205	1.969	1.969	1.575	40	0.354	0.709	1.791
EXMM-50R	M50x1.5	0.866 - 1.260	22.0 - 32.0	2.402	1.772	2.165	1.969	50	0.354	0.709	1.673
EXMM-50	M50x1.5	1.024 - 1.378	26.0 - 35.0	2.402	1.969	2.165	1.969	50	0.354	0.709	1.791
EXMM-50C	M50x1.5	1.378 - 1.732	35.0 - 44.0	2.756	2.520	2.520	1.969	50	0.354	0.709	1.772
EXMM-63R	M63x1.5	1.024 - 1.378	26.0 - 35.0	2.953	1.969	2.677	2.480	63	0.354	0.709	1.791
EXMM-63	M63x1.5	1.378 - 1.772	35.0 - 45.0	2.953	2.520	2.677	2.480	63	0.354	0.709	1.772
EXMM-63C	M63x1.5	1.811 - 2.205	46.0 - 56.0	3.504	3.150	2.953	2.480	63	0.354	0.709	2.126

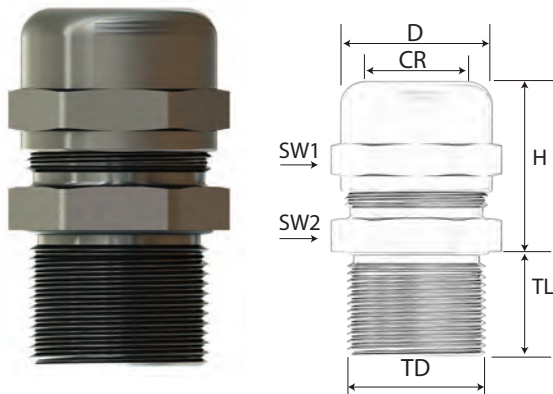
¹For 0.354 in / 9mm thread for metric glands, add -TL9 to end of P/N

Explosion Proof Glands

EX 300 NPT

Nickel Plated Brass EX d dome cap glands for Non-armored cables

NPT Thread



Technical data:

Material:	Nickel Plated Brass		
Seal:	Chloroprene (CR)		
Seal type:	Triple		
O-ring:	Chloroprene (CR)		
Protection type:	IP 68 5 bar (30 min)		
Temperature range:	-40°C to +80°C		
<i>Ex d/tb:</i>	-40°C to +80°C		
<i>Ex e/tb:</i>	-40°C to +80°C		
Suitable for use in:	Group II	Gas Group IIC	ZONE 1/ZONE 2
	Group III	Dust Group IIIC	ZONE 21/ZONE22
Equipment marking:	Ex II 2GD Ex db IIC Gb Ex eb IIC Gb Ex tb IIIC Db		
Marking example	BMD EBU.. CE 0722 ⚡ II 2GD Ex db IIC Gb Ex eb IIC Gb Ex tb IIIC Db Ta -40°C to +80°C IP66/68 IECEx CES 13.0006X CESI 13 ATEX 018X		



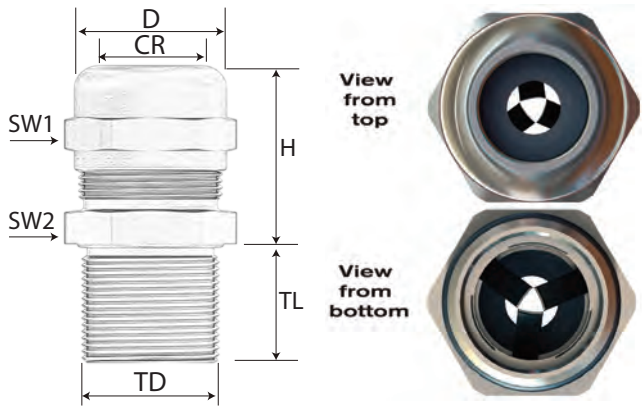
Part Number	Thread Type	Clamping Range Ø min-max		Outer Diameter (D) inches	Wrenching Flats		Thread Diameter		Thread Length EX d/e min. (TL) inches	Max. Height (H) inches
		(CR)			Cap (SW1) inches	Body (SW2) inches	(TD)			
		inches	mm				inches	mm		
NPT										
EXNM-3/8	NPT 3/8	0.157 - 0.472	4.0 - 12.0	0.965	0.866	0.866	0.675	17	0.630	1.299
EXNM-1/2	NPT 1/2	0.157 - 0.472	4.0 - 12.0	0.965	0.866	0.866	0.840	21	0.630	1.142
EXNM-1/2C	NPT 1/2	0.394 - 0.630	10.0 - 16.0	1.220	1.102	1.102	0.840	21	0.630	1.260
EXNM-3/4R	NPT 3/4	0.157 - 0.472	4.0 - 12.0	1.220	0.866	1.102	1.050	27	0.630	1.142
EXNM-3/4	NPT 3/4	0.394 - 0.709	10.0 - 18.0	1.220	1.102	1.102	1.050	27	0.630	1.260
EXNM-3/4C	NPT 3/4	0.551 - 0.787	14.0 - 20.0	1.535	1.378	1.378	1.050	27	0.630	1.378
EXNM-1R	NPT 1	0.394 - 0.709	10.0 - 18.0	1.535	1.102	1.378	1.315	33	0.787	1.280
EXNM-1	NPT 1	0.551 - 0.945	14.0 - 24.0	1.535	1.378	1.378	1.315	33	0.787	1.378
EXNM-1C	NPT 1	0.866 - 1.024	22.0 - 26.0	1.949	1.772	1.772	1.315	33	0.787	1.654
EXNM-1 1/4R	NPT 1 1/4	0.551 - 0.945	14.0 - 24.0	1.949	1.378	1.772	1.660	42	0.787	1.378
EXNM-1 1/4	NPT 1 1/4	0.866 - 1.260	22.0 - 32.0	1.949	1.772	1.772	1.660	42	0.787	1.673
EXNM-1 1/4C	NPT 1 1/4	1.024 - 1.339	26.0 - 34.0	2.185	1.969	1.969	1.660	42	0.787	1.791
EXNM-1 1/2R	NPT 1 1/2	0.866 - 1.260	22.0 - 32.0	2.402	1.772	2.165	1.900	48	0.787	1.673
EXNM-1 1/2	NPT 1 1/2	1.024 - 1.378	26.0 - 35.0	2.402	1.969	2.165	1.900	48	0.787	1.791
EXNM-1 1/2C	NPT 1 1/2	1.378 - 1.614	35.0 - 41.0	2.756	2.520	2.520	1.900	48	0.787	1.732
EXNM-2R	NPT 2	1.024 - 1.378	26.0 - 35.0	2.953	1.969	2.677	2.375	60	0.787	1.791
EXNM-2	NPT 2	1.378 - 1.772	35.0 - 45.0	2.953	2.520	2.677	2.375	60	0.787	1.772
EXNM-2C	NPT 2	1.811 - 2.047	46.0 - 52.0	3.504	3.150	2.953	2.375	60	0.787	2.126
EXNM-2 1/2R	NPT 2 1/2	1.378 - 1.772	35.0 - 45.0	3.504	2.520	3.150	2.875	73	0.827	1.772
EXNM-2 1/2	NPT 2 1/2	1.811 - 2.441	46.0 - 62.0	3.504	3.150	3.150	2.875	73	0.827	2.106
EXNM-2 1/2C	NPT 2 1/2	2.362 - 2.520	60.0 - 64.0	4.134	3.740	3.740	2.875	73	0.827	2.244
EXNM-3R	NPT 3	1.811 - 2.441	46.0 - 62.0	4.134	3.150	3.740	3.500	89	0.827	2.106
EXNM-3	NPT 3	2.362 - 2.953	60.0 - 75.0	4.134	3.740	3.740	3.500	89	0.827	2.244
EXNM-3C	NPT 3	2.953 - 3.130	75.0 - 79.5	4.606	4.134	4.134	3.500	89	0.827	2.205
EXNM-4	NPT 4	2.953 - 3.346	75.0 - 85.0	5.039	4.134	4.528	4.500	114	0.827	2.205
EXNM-4C	NPT 4	3.346 - 3.740	85.0 - 95.0	5.039	4.528	4.528	4.500	114	0.827	2.283

Explosion Proof Glands

EX EMC-2 Metric & NPT

Nickel Plated Brass EX e & EX d dome cap glands for shielded cables

Metric & NPT
Thread



Technical data:

Material:	Nickel Plated Brass		
Seal:	Chloroprene (CR)		
Seal type:	Double or triple		
O-Ring:	Chloroprene (CR)		
Spring:	Special copper alloy		
Protection type:	IP 68 5 bar (30 min)		
Temperature range:	-40°C to +80°C		
<i>Ex d/tb:</i>	-60°C to +80°C		
<i>Ex e/tb:</i>	-60°C to +80°C		
Suitable for use in:	Group II	Gas Group IIC	ZONE 1/ZONE 2
	Group III	Dust Group IIIC	ZONE 21/ZONE22
Equipment marking:	Ex II 2GD Ex db IIC Gb Ex eb IIC Gb Ex tb IIIC Db		
Marking example	BMD EBS.. CE 0722 ⚠ 2GD Ex db IIC Gb Ex eb IIC Gb Ex tb IIIC Db Ta -40°C to +80°C IP66/68 CESI 13 ATEX 018X IECEx CES 13.0006X		

Approval	Certificate Number	Standards
ATEX	IMQ 13 ATEX 018X	EN 60079-0:2018; EN 60079-1:2014; EN 60079-7:2015; EN 60079-31:2014
IECEx	IECEx IMQ 13.0006X	IEC 60079-0:2017 Ed. 7; IEC 60079-7:2015 Ed. 5; IEC 60079-31:2013 Ed. 2; IEC 60079-1:2014 Ed. 7
UL	E474828_VOL.1_SEC.1	UL 2225
TR RU	No TC RU C-TR. AA87B.00941	ГОСТ 31610.0-2014; ГОСТ IEC 60079-1:2013; ГОСТ IEC 60079-31:2013
IN METRO	DNV 21.0183 X	ABNT NBR IEC 60079-0:2013; ABNT NBR IEC 60079-7:2008; ABNT NBR IEC 60079-31:2011; ABNT NBR IEC 60079-1:2009
MARINE	TAE00003WU	IEC/EN60079-0; IEC/EN60079-7; IEC/EN60079-31; IEC/EN60079-1

Part Number	Thread Type	Seal Type	Clamping Range Ø min-max		Shield Diameter Ø min-max	Outer Diameter	Wrenching Flats		Thread Dia.	Thread Length EX e min. ¹	Thread Length EX d/e min.	Max. Height
			(CR) inches	mm			Cap (SW1) inches	Body (SW2) inches				
Metric												
EXM2-16	M16x1.5	Double	0.157 - 0.315	4.0 - 8.0	0.098 - 0.197	0.965	0.866	0.866	0.630	0.354	0.630	1.201
EXM2-20	M20x1.5	Triple	0.157 - 0.472	4.0 - 12.0	0.098 - 0.394	0.965	0.866	0.866	0.787	0.354	0.709	1.122
EXM2-25	M25x1.5	Triple	0.394 - 0.709	10.0 - 18.0	0.315 - 0.551	1.220	1.102	1.102	0.984	0.354	0.630	1.260
EXM2-32	M32x1.5	Triple	0.551 - 0.945	14.0 - 24.0	0.472 - 0.787	1.535	1.378	1.378	1.260	0.354	0.748	1.378
EXM2-40	M40x1.5	Triple	0.866 - 1.26	22.0 - 32.0	0.709 - 1.102	1.949	1.772	1.772	1.575	0.354	0.787	1.673
EXM2-50	M50x1.5	Triple	1.024 - 1.378	26.0 - 35.0	0.866 - 1.220	2.402	1.969	2.165	1.969	0.354	0.787	1.909
EXM2-63	M63x1.5	Triple	1.378 - 1.772	35.0 - 45.0	1.220 - 1.614	2.953	2.520	2.677	2.480	0.354	0.787	1.772
NPT												
EXN2-3/8	NPT 3/8	Double	0.157 - 0.315	4.0 - 8.0	0.098 - 0.197	0.965	0.866	0.866	0.675	-	0.630	1.201
EXN2-1/2	NPT 1/2	Triple	0.157 - 0.472	4.0 - 12.0	0.098 - 0.394	0.965	0.866	0.866	0.840	-	0.709	1.122
EXN2-3/4	NPT 3/4	Triple	0.394 - 0.709	10.0 - 18.0	0.315 - 0.551	1.220	1.102	1.102	1.050	-	0.630	1.280
EXN2-1	NPT 1	Triple	0.551 - 0.945	14.0 - 24.0	0.472 - 0.787	1.535	1.378	1.378	1.315	-	0.787	1.378
EXN2-1 1/4	NPT 1-1/4	Triple	0.866 - 1.260	22.0 - 32.0	0.709 - 1.102	1.949	1.772	1.772	1.660	-	0.787	1.673
EXN2-1 1/2	NPT 1-1/2	Triple	1.024 - 1.378	26.0 - 35.0	0.866 - 1.220	2.402	1.969	2.165	1.900	-	0.787	1.772
EXN2-2	NPT 2	Triple	1.378 - 1.772	35.0 - 45.0	1.220 - 1.614	2.953	2.520	2.677	2.375	-	0.787	1.772
EXN2-2 1/2	NPT 2-1/2	Triple	1.811 - 2.441	46.0 - 62.0	1.654 - 2.283	3.504	3.150	3.150	2.875	-	0.827	2.224
EXN2-3	NPT 3	Triple	2.362 - 2.953	60.0 - 75.0	2.205 - 2.795	4.134	3.740	3.740	3.500	-	0.827	2.559

¹ For 9mm thread for EX e metric glands, add -TL9 to end of P/N
Larger sizes are available upon request

EMC Grounding Accessories

Metal Locknuts / Metal EMC Locknuts

Nickel plated brass locknuts / Nickel plated brass locknuts with grounding teeth

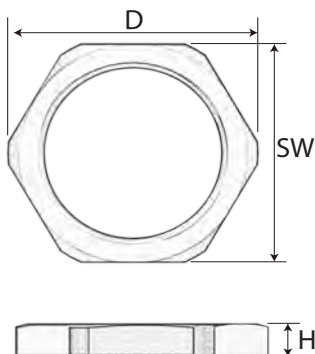
Metric, PG, & NPT Thread

EMC locknut has grounding teeth to make connection to metal panels or control boxes.

Technical data:

Material:

Brass, Nickel Plated



Part Number	Thread Type	Height (H) inches	Diameter (D) inches	Wrenching Flats (SW) inches
Metric-Standard				
LMM-12	M12x1.5	0.110	0.654	0.591
LMM-16	M16x1.5	0.118	0.827	0.748
LMM-20	M20x1.5	0.138	1.043	0.945
LMM-25	M25x1.5	0.157	1.299	1.181
LMM-32	M32x1.5	0.197	1.555	1.417
LMM-40	M40x1.5	0.197	2.008	1.811
LMM-50	M50x1.5	0.197	2.598	2.362
LMM-63	M63x1.5	0.236	3.031	2.756
LMM-75	M75x2.0	0.276	3.528	3.150
LMM-80	M80x2.0	0.315	3.937	3.543
LMM-85	M85x2.0	0.315	4.181	3.740
LMM-90	M90x2.0	0.315	4.409	3.937
PG-Standard				
LPM-7	PG 7	0.110	0.654	0.591
LPM-9	PG 9	0.110	0.787	0.709
LPM-11	PG 11	0.118	0.925	0.827
LPM-13	PG 13.5	0.118	1.004	0.906
LPM-16	PG 16	0.118	1.142	1.024
LPM-21	PG 21	0.138	1.398	1.260
LPM-29	PG 29	0.157	1.772	1.614
LPM-36	PG 36	0.197	2.205	2.008
LPM-42	PG 42	0.197	2.598	2.362
LPM-48	PG 48	0.217	2.776	2.520
NPT-Standard				
LNM-3/8	NPT 3/8	0.197	0.965	0.866
LNM-1/2	NPT 1/2	0.197	1.181	1.063
LNM-3/4	NPT 3/4	0.197	1.437	1.299
LNM-1	NPT 1	0.197	1.831	1.693
LNM-1 1/4	NPT 1 1/4"	0.197	2.087	1.890
LNM-1 1/2	NPT 1 1/2"	0.197	2.402	2.165
LNM-2	NPT 2"	0.217	2.776	2.520

Part Number	Thread Type	Height (H) inches	Diameter (D) inches	Wrenching Flats (SW) inches
Metric-EMC				
LME-12	M12x1.5	0.130	0.650	0.591
LME-16	M16x1.5	0.138	0.827	0.748
LME-20	M20x1.5	0.146	1.043	0.945
LME-25	M25x1.5	0.146	1.299	1.181
LME-32	M32x1.5	0.157	1.555	1.417
LME-40	M40x1.5	0.181	2.008	1.811
LME-50	M50x1.5	0.220	2.598	2.362
LME-63	M63x1.5	0.264	3.031	2.756
PG-EMC				
LPE-7	PG 7	0.130	0.650	0.591
LPE-9	PG 9	0.130	0.787	0.709
LPE-11	PG 11	0.138	0.925	0.827
LPE-13	PG 13.5	0.138	1.004	0.906
LPE-16	PG 16	0.138	1.142	1.024
LPE-21	PG 21	0.157	1.398	1.260
LPE-29	PG 29	0.181	1.772	1.614
LPE-36	PG 36	0.220	2.205	2.008
LPE-42	PG 42	0.220	2.598	2.362
LPE-48	PG 48	0.240	2.776	2.520
NPT-EMC				
LNE-1/4	NPT 1/4"	0.217	0.740	0.669
LNE-3/8	NPT 3/8"	0.224	0.945	0.866
LNE-1/2	NPT 1/2"	0.264	1.043	0.945
LNE-3/4	NPT 3/4"	0.256	1.299	1.181
LNE-1	NPT 1"	0.299	1.752	1.575
LNE-1 1/4	NPT 1 1/4"	0.299	2.185	1.969
LNE-1 1/2	NPT 1 1/2"	0.343	2.520	2.283
LNE-2	NPT 2"	0.425	3.071	2.756

Stainless steel locknuts are available upon request

EMC Grounding Cable Glands

VFD Termination Kit

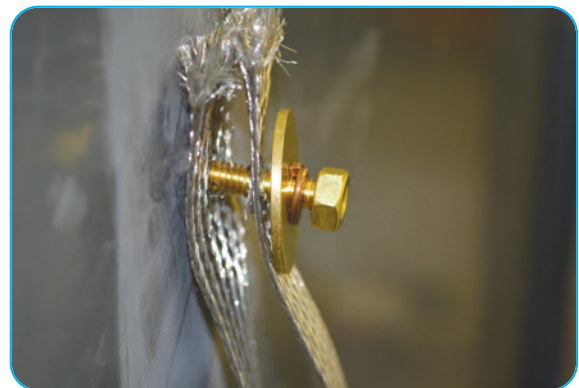
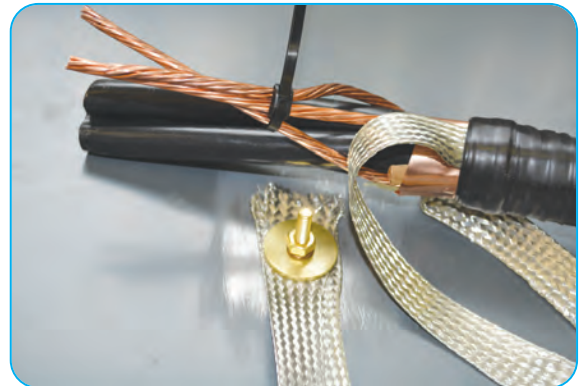
Grounding kits for larger AWG cables

14 AWG to
500 KCMIL

VFD Termination Kits are used to ground the shield of VFD cables to a metal enclosure. It is an effective way to remove noise associated with VFD motors and drives. Improve the effectiveness by also using a SAB EMC grounding gland where the cable enters the enclosure.



Kit P/N	Kit Components	Quantity
VFD GRD KIT 14-1	1/4" flat tinned copper braid	2 x 3ft
	3/4" Copper tape	2 x 1ft
	Bolt assembly (see parts below)	1 bag
	Rubber splicing tape	1 roll
	Low profile tie wrap 7"	2 pcs
	Metal sand paper 3" x 3"	1 pc
	Alcohol wipes	2 pcs
VFD GRD KIT 1-4/0	3/4" flat tinned copper braid	2 x 3ft
	3/4" Copper tape	2 x 2ft
	Bolt assembly (see parts below)	1 bag
	Rubber splicing tape	1 roll
	Low profile tie wrap 7"	2 pcs
	Metal sand paper 3" x 3"	1 pc
	Alcohol wipes	2 pcs
VFD GRD KIT 250-500	1/4" flat tinned copper braid	2 x 3ft
	3/4" Copper tape	2 x 1ft
	Bolt assembly (see parts below)	1 bag
	Rubber splicing tape	1 roll
	Low profile tie wrap 7"	2 pcs
	Metal sand paper 3" x 3"	1 pc
	Alcohol wipes	2 pcs
Bolt assembly		
	brass bolt 1/4"-20 x 1-1/4"	2 pcs
	brass nut 1/4"-20	2 pcs
	bronze locking washer 1/4"-20	2 pcs
	brass washer 1/4"-20 x 9/16" OD	2 pcs
	brass washer 1/4"-20 x 1 1/4" OD	2 pcs



Attach to Enclosure

Installation instructions available see page 53

Metal Enlargers

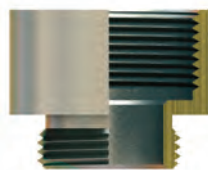
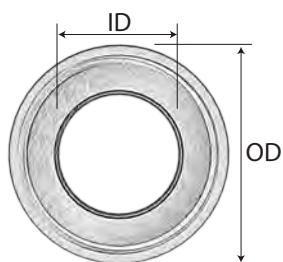
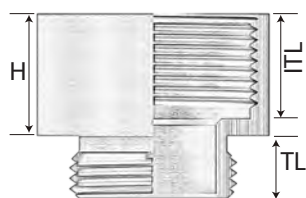
Nickel plated brass fittings, PG to PG, PG to metric, metric to PG

Metric & PG
Thread

Enlargers are ideal when a threaded hole exists and you need to secure a larger thread or different style of thread. Made of nickel plated brass, SAB's enlargers are very durable.

Technical data:

Material:	Brass, Nickel Plated
Attachment thread:	EN 60423 (Metric); DIN 40430 (PG)



Part Number	Thread Type OT (male)	Thread Type IT (female)	Inner Thread Length ITL inches	Outer Thread Length OTL inches	Outer Diameter OD inches	Inner Diameter ID inches	Height (H) inches
PG-PG							
ENL-01	PG 7	PG 9	0.197	0.197	0.669	0.315	0.394
ENL-02	PG 9	PG 11	0.276	0.236	0.787	0.453	0.413
ENL-03	PG 9	PG 13.5	0.354	0.236	0.866	0.453	0.453
ENL-04	PG 11	PG 13.5	0.335	0.709	0.866	0.543	0.453
ENL-05	PG 11	PG 16	0.335	0.866	0.945	0.543	0.413
ENL-06	PG 11	PG 21	0.394	1.063	1.181	0.543	0.571
ENL-07	PG 13.5	PG 16	0.335	1.339	0.945	0.650	0.413
ENL-08	PG 13.5	PG 21	0.394	1.654	1.181	0.650	0.571
ENL-09	PG 16	PG 21	0.394	1.102	1.169	0.689	0.472
ENL-10	PG 16	PG 29	0.472	2.047	1.575	0.689	0.630
ENL-11	PG 21	PG 29	0.551	2.559	1.535	0.945	0.630
ENL-12	PG 29	PG 36	0.689	0.315	1.969	1.260	0.768
ENL-13	PG 36	PG 42	0.748	0.354	2.244	1.496	0.866
ENL-14	PG 42	PG 48	0.768	0.394	2.520	1.937	0.906
PG-Metric							
ENL-47	PG 7	M12x1.5	0.276	0.197	0.551	0.315	0.394
ENL-48	PG 9	M16x1.5	0.315	0.236	0.709	0.453	0.433
ENL-49	PG 11	M20x1.5	0.335	0.236	0.866	0.571	0.453
ENL-50	PG 13.5	M20x1.5	0.335	0.256	0.866	0.650	0.453
ENL-51	PG 16	M25x1.5	0.335	0.256	1.063	0.689	0.492
ENL-52	PG 21	M32x1.5	0.472	0.276	1.339	0.945	0.630
ENL-53	PG 29	M40x1.5	0.591	0.315	1.654	1.260	0.768
ENL-54	PG 29	M50x1.5	0.630	0.315	2.126	1.260	0.768
Metric-PG							
ENL-15	M12x1.5	PG 9	0.276	0.236	0.669	0.315	0.354
ENL-16	M16x1.5	PG 11	0.295	0.236	0.787	0.472	0.354
ENL-17	M20x1.5	PG 16	0.335	0.315	0.945	0.630	0.413
ENL-45	M25x1.5	PG 16	0.531	0.315	2.126	1.024	0.669
ENL-18	M25x1.5	PG 21	0.394	0.354	1.181	0.787	0.492
ENL-19	M32x1.5	PG 29	0.512	0.315	1.575	1.083	0.630
ENL-20	M40x1.5	PG 36	0.551	0.354	1.969	1.398	0.728
ENL-21	M50x1.5	PG 42	0.709	0.354	2.244	1.791	0.866
ENL-22	M63x1.5	PG 48	0.709	0.354	2.520	2.205	0.906

Metal Enlargers

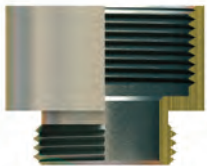
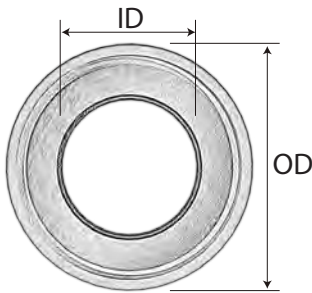
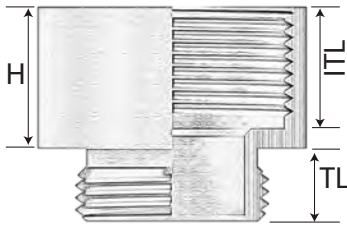
Nickel plated brass fittings, metric to metric, metric to NPT

Metric & NPT
Thread

Enlargers are ideal when a threaded hole exists and you need to secure a larger thread or different style of thread. Made of nickel plated brass, SAB's enlargers are very durable.

Technical data:

Material:	Brass, Nickel Plated
Attachment thread:	EN 60423 (Metric); DIN 40430 (PG)



Part Number	Thread Type OT (male)	Thread Type IT (female)	Inner Thread Length ITL inches	Outer Thread Length OTL inches	Outer Diameter OD inches	Inner Diameter ID inches	Height (H) inches
Metric-Metric							
ENL-23	M12x1.5	M16x1.5	0.276	0.236	0.709	0.315	0.354
ENL-24	M16x1.5	M20x1.5	0.394	0.236	0.866	0.472	0.457
ENL-25	M20x1.5	M25x1.5	0.335	0.276	1.063	0.63	0.413
ENL-26	M25x1.5	M32x1.5	0.374	0.315	1.339	0.807	0.453
ENL-27	M32x1.5	M40x1.5	0.335	0.315	1.654	1.024	0.571
ENL-46	M32x1.5	M50x1.5	0.354	0.394	1.102	0.787	0.453
ENL-28	M40x1.5	M50x1.5	0.591	0.315	2.047	1.398	0.768
ENL-29	M50x1.5	M63x1.5	0.374	0.354	2.559	1.772	0.886
Metric-NPT							
ENL-30	M16x1.5	NPT 3/8	0.256	0.256	0.866	0.433	0.65
ENL-31	M16x1.5	NPT 1/2	0.256	0.256	0.945	0.433	0.709
ENL-32	M20x1.5	NPT 1/2	0.315	0.315	0.945	0.591	0.709
ENL-33	M20x1.5	NPT 3/4	0.315	0.315	1.181	0.591	0.709
ENL-34	M25x1.5	NPT 1/2	0.315	0.315	1.181	0.591	0.709
ENL-35	M25x1.5	NPT 3/4	0.315	0.315	1.181	0.709	0.709
ENL-36	M32x1.5	NPT 1/2	0.315	0.315	1.378	0.669	0.709
ENL-37	M32x1.5	NPT 3/4	0.315	0.315	1.378	0.906	0.709
ENL-38	M32x1.5	NPT 1	0.315	0.315	1.457	1.063	0.827
ENL-39	M40x1.5	NPT 1	0.315	0.315	1.693	1.063	0.827
ENL-40	M40x1.5	NPT 1 1/4	0.315	0.315	1.811	1.339	0.866
ENL-41	M50x1.5	NPT 1 1/4	0.315	0.315	2.165	1.417	0.906
ENL-42	M50x1.5	NPT 1 1/2	0.315	0.315	2.165	1.614	0.787
ENL-43	M63x1.5	NPT 1 1/2	0.354	0.354	2.677	1.654	0.906
ENL-44	M63x1.5	NPT 2	0.354	0.354	2.677	2.087	0.945

Metal Reducers

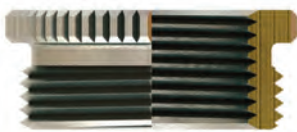
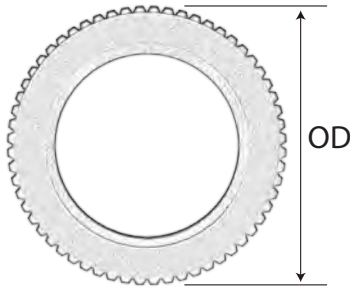
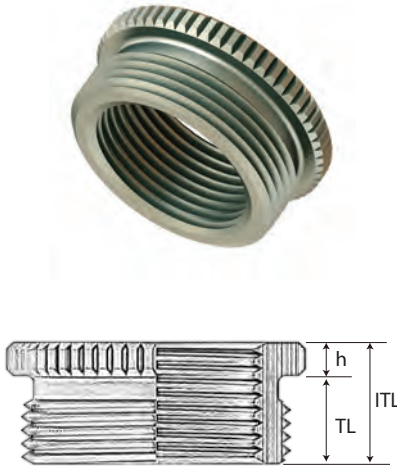
Nickel plated brass fittings, PG to PG, metric to PG, metric to metric

Metric & PG Thread

Reducers are ideal when a threaded hole exists and you need to secure a smaller thread or different style of thread. Made of nickel plated brass, SAB's reducers are very durable.

Technical data:

Material:	Brass, Nickel Plated
Attachment thread:	EN 60423 (Metric) DIN 40430 (PG)



Part Number	Thread Type OT (male)	Thread Type IT (female)	Inner Thread Length ITL inches	Outer Thread Length OTL inches	Outer Diameter OD inches	Height (h) inches
PG-PG						
RED-01	PG 9	PG 7	0.905	0.236	0.669	0.098
RED-02	PG 11	PG 7	1.023	0.236	0.787	0.118
RED-03	PG 11	PG 9	1.023	0.236	0.787	0.118
RED-04	PG 13.5	PG 7	1.122	0.256	0.866	0.098
RED-05	PG 13.5	PG 9	1.122	0.256	0.866	0.098
RED-06	PG 13.5	PG 11	1.122	0.256	0.866	0.098
RED-07	PG 16	PG 7	1.201	0.256	0.945	0.118
RED-08	PG 16	PG 9	1.201	0.256	0.945	0.118
RED-09	PG 16	PG 11	1.181	0.236	0.945	0.118
RED-10	PG 16	PG 13.5	1.181	0.236	0.945	0.118
RED-11	PG 21	PG 11	1.457	0.276	1.181	0.118
RED-12	PG 21	PG 13.5	1.457	0.276	1.181	0.118
RED-13	PG 21	PG 16	1.457	0.276	1.181	0.118
RED-14	PG 29	PG 13.5	1.850	0.315	1.535	0.138
RED-15	PG 29	PG 16	1.850	0.315	1.535	0.138
RED-16	PG 29	PG 21	1.850	0.315	1.535	0.138
RED-17	PG 36	PG 21	2.323	0.354	1.969	0.138
RED-18	PG 36	PG 29	2.323	0.354	1.969	0.138
RED-19	PG 42	PG 29	2.638	0.394	2.244	0.157
RED-20	PG 42	PG 36	2.638	0.394	2.244	0.157
RED-21	PG 48	PG 36	2.914	0.394	2.520	0.157
RED-22	PG 48	PG 42	2.914	0.394	2.520	0.157
PG-Metric						
RED-40	PG 11	M16x1.5	1.023	0.236	0.787	0.118
RED-23	PG 16	M20x1.5	1.181	0.236	0.945	0.118
RED-24	PG 21	M20x1.5	1.457	0.276	1.181	0.118
RED-25	PG 21	M25x1.5	1.457	0.276	1.181	0.118
RED-26	PG 29	M25x1.5	1.850	0.315	1.535	0.138
RED-41	PG 29	M32x1.5	1.850	0.315	1.535	0.138
RED-42	PG 36	M40x1.5	2.323	0.354	1.969	0.138
Metric-Metric						
RED-27	M16x1.5	M12x1.5	0.965	0.256	0.709	0.118
RED-28	M20x1.5	M12x1.5	1.122	0.256	0.866	0.118
RED-29	M20x1.5	M16x1.5	1.122	0.256	0.866	0.098
RED-30	M25x1.5	M16x1.5	1.358	0.256	1.102	0.098
RED-31	M25x1.5	M20x1.5	1.496	0.315	1.181	0.138
RED-32	M32x1.5	M20x1.5	1.850	0.315	1.535	0.138
RED-33	M32x1.5	M25x1.5	1.850	0.315	1.535	0.138
RED-34	M40x1.5	M25x1.5	2.323	0.354	1.969	0.138
RED-35	M40x1.5	M32x1.5	2.323	0.354	1.969	0.138
RED-36	M50x1.5	M32x1.5	2.914	0.394	2.520	0.157
RED-37	M50x1.5	M40x1.5	2.914	0.394	2.520	0.157
RED-38	M63x1.5	M40x1.5	3.209	0.394	2.815	0.315
RED-39	M63x1.5	M50x1.5	3.209	0.394	2.815	0.315

Multi-Hole Bushings

Chloroprene multi-hole bushing

Fits SAB
Metric, PG, or NPT
cord grips



Multi-hole bushings are ideal for when there is limited space on a control cabinet or when you have multiple smaller cables that need to be secured. They are made of black chloroprene and, when used with a SAB cord grip, will provide an excellent seal.

Technical data:

Material: Chloroprene (CR)
Color: Black



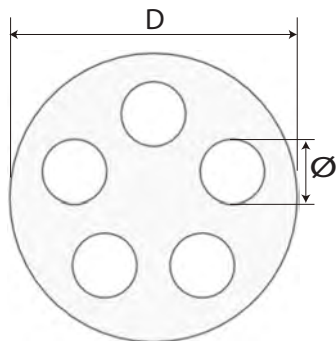
Part Number	Clamping Range		CG 100 Plastic Cord Grip			CG 300 Metal Cord Grip			Hole Quantity	Hole Diameter Ø inches	Outer Dia. D inches	Height h inches
	inches	mm	PG	Metric	NPT	PG	Metric	NPT				
MHB-02	0.157 - 0.315	4 - 8	PG 9	M16C	-	PG 9	M16	NPT 3/8"	2	0.118	0.429	0.276
MHB-01	0.157 - 0.315	4 - 8	PG 9	M16C	-	PG 9	M16	NPT 3/8"	2	0.157	0.429	0.276
MHB-03	0.157 - 0.315	4 - 8	PG 9	M16C	-	PG 9	M16	NPT 3/8"	4	0.118	0.429	0.276
MHB-07	0.197 - 0.394	5 - 10	PG 11	M16	NPT 3/8"	PG 11	M16C	NPT 3/8"C	2	0.118	0.539	0.409
MHB-04	0.197 - 0.394	5 - 10	PG 11	M16	NPT 3/8"	PG 11	M16C	NPT 3/8"C	2	0.157	0.539	0.409
MHB-05	0.197 - 0.394	5 - 10	PG 11	M16	NPT 3/8"	PG 11	M16C	NPT 3/8"C	2	0.177	0.539	0.409
MHB-08	0.197 - 0.394	5 - 10	PG 11	M16	NPT 3/8"	PG 11	M16C	NPT 3/8"C	2	0.197	0.539	0.409
MHB-09	0.197 - 0.394	5 - 10	PG 11	M16	NPT 3/8"	PG 11	M16C	NPT 3/8"C	3	0.157	0.539	0.409
MHB-14	0.236 - 0.472	6 - 12	PG 13.5	M20	NPT 1/2"	PG 13.5	M20	NPT 1/2"	2	0.197	0.630	0.331
MHB-10	0.236 - 0.472	6 - 12	PG 13.5	M20	NPT 1/2"	PG 13.5	M20	NPT 1/2"	2	0.236	0.630	0.331
MHB-11	0.236 - 0.472	6 - 12	PG 13.5	M20	NPT 1/2"	PG 13.5	M20	NPT 1/2"	3	0.157	0.630	0.331
MHB-12	0.236 - 0.472	6 - 12	PG 13.5	M20	NPT 1/2"	PG 13.5	M20	NPT 1/2"	3	0.197	0.630	0.331
MHB-13	0.236 - 0.472	6 - 12	PG 13.5	M20	NPT 1/2"	PG 13.5	M20	NPT 1/2"	4	0.118	0.630	0.331
MHB-15	0.236 - 0.472	6 - 12	PG 13.5	M20	NPT 1/2"	PG 13.5	M20	NPT 1/2"	4	0.157	0.630	0.331
MHB-19	0.394 - 0.551	10 - 14	PG 16	M20C	NPT 1/2"C	PG 16	M20C	NPT 1/2"C	2	0.157	0.709	0.366
MHB-16	0.394 - 0.551	10 - 14	PG 16	M20C	NPT 1/2"C	PG 16	M20C	NPT 1/2"C	2	0.236	0.709	0.366
MHB-76	0.394 - 0.551	10 - 14	PG 16	M20C	NPT 1/2"C	PG 16	M20C	NPT 1/2"C	2	0.256	0.709	0.366
MHB-17	0.394 - 0.551	10 - 14	PG 16	M20C	NPT 1/2"C	PG 16	M20C	NPT 1/2"C	2	0.276	0.709	0.366
MHB-18	0.394 - 0.551	10 - 14	PG 16	M20C	NPT 1/2"C	PG 16	M20C	NPT 1/2"C	3	0.157	0.709	0.366
MHB-77	0.394 - 0.551	10 - 14	PG 16	M20C	NPT 1/2"C	PG 16	M20C	NPT 1/2"C	3	0.220	0.709	0.366
MHB-78	0.394 - 0.551	10 - 14	PG 16	M20C	NPT 1/2"C	PG 16	M20C	NPT 1/2"C	3	0.236	0.709	0.366
MHB-20	0.394 - 0.551	10 - 14	PG 16	M20C	NPT 1/2"C	PG 16	M20C	NPT 1/2"C	4	0.197	0.709	0.366
MHB-79	0.394 - 0.551	10 - 14	PG 16	M20C	NPT 1/2"C	PG 16	M20C	NPT 1/2"C	4	0.236	0.709	0.366
MHB-23	0.394 - 0.551	10 - 14	PG 16	M20C	NPT 1/2"C	PG 16	M20C	NPT 1/2"C	5	0.157	0.709	0.366
MHB-80	0.394 - 0.551	10 - 14	PG 16	M20C	NPT 1/2"C	PG 16	M20C	NPT 1/2"C	6	0.157	0.709	0.366
MHB-35	0.433 - 0.669	11 - 17	-	M25C	-	-	M25RC	-	2	0.236	0.803	0.421
MHB-37	0.433 - 0.669	11 - 17	-	M25C	-	-	M25RC	-	3	0.197	0.803	0.421
MHB-36	0.433 - 0.669	11 - 17	-	M25C	-	-	M25RC	-	3	0.236	0.803	0.421
MHB-38	0.433 - 0.669	11 - 17	-	M25C	-	-	M25RC	-	3	0.276	0.803	0.421
MHB-39	0.433 - 0.669	11 - 17	-	M25C	-	-	M25RC	-	4	0.197	0.803	0.421
MHB-40	0.433 - 0.669	11 - 17	-	M25C	-	-	M25RC	-	5	0.157	0.803	0.421
MHB-41	0.433 - 0.669	11 - 17	-	M25C	-	-	M25RC	-	6	0.157	0.803	0.421
MHB-42	0.433 - 0.669	11 - 17	-	M25C	-	-	M25RC	-	7	0.118	0.803	0.421
MHB-25	0.512 - 0.709	13 - 18	PG 21	M25	NPT 3/4"	PG 21	M25C, M32	NPT 3/4"	2	0.260	0.902	0.480
MHB-26	0.512 - 0.709	13 - 18	PG 21	M25	NPT 3/4"	PG 21	M25C, M32	NPT 3/4"	2	0.276	0.902	0.480
MHB-27	0.512 - 0.709	13 - 18	PG 21	M25	NPT 3/4"	PG 21	M25C, M32	NPT 3/4"	2	0.315	0.902	0.480
MHB-28	0.512 - 0.709	13 - 18	PG 21	M25	NPT 3/4"	PG 21	M25C, M32	NPT 3/4"	2	0.354	0.902	0.480
MHB-29	0.512 - 0.709	13 - 18	PG 21	M25	NPT 3/4"	PG 21	M25C, M32	NPT 3/4"	3	0.260	0.902	0.480
MHB-81	0.512 - 0.709	13 - 18	PG 21	M25	NPT 3/4"	PG 21	M25C, M32	NPT 3/4"	3	0.276	0.902	0.480

Contact SAB, if you have a different SAB gland than above.

Multi-Hole Bushings

Chloroprene multi-hole bushing

Fits SAB
Metric, PG, or NPT
cord grips



Part Number	Clamping Range		CG 100			CG 300			Hole Quantity	Hole Diameter Ø mm	Outer Dia. D inches	Height h inches
	inches	mm	PG	Metric	NPT	PG	Metric	NPT				
MHB-30	0.512 - 0.709	13 - 18	PG 21	M25	NPT 3/4"	PG 21	M25C, M32	NPT 3/4"	3	0.315	0.480	0.480
MHB-32	0.512 - 0.709	13 - 18	PG 21	M25	NPT 3/4"	PG 21	M25C, M32	NPT 3/4"	4	0.260	0.480	0.480
MHB-33	0.512 - 0.709	13 - 18	PG 21	M25	NPT 3/4"	PG 21	M25C, M32	NPT 3/4"	4	0.276	0.480	0.480
MHB-54	0.591 - 0.826	15 - 21	-	M32C	-	-	M32RC	-	2	0.276	0.559	0.559
MHB-52	0.591 - 0.826	15 - 21	-	M32C	-	-	M32RC	-	2	0.315	0.559	0.559
MHB-55	0.591 - 0.826	15 - 21	-	M32C	-	-	M32RC	-	2	0.354	0.559	0.559
MHB-53	0.591 - 0.826	15 - 21	-	M32C	-	-	M32RC	-	3	0.315	0.559	0.559
MHB-58	0.591 - 0.826	15 - 21	-	M32C	-	-	M32RC	-	4	0.236	0.559	0.559
MHB-59	0.591 - 0.826	15 - 21	-	M32C	-	-	M32RC	-	4	0.276	0.559	0.559
MHB-56	0.591 - 0.826	15 - 21	-	M32C	-	-	M32RC	-	4	0.315	0.559	0.559
MHB-57	0.591 - 0.826	15 - 21	-	M32C	-	-	M32RC	-	5	0.236	0.559	0.559
MHB-60	0.591 - 0.826	15 - 21	-	M32C	-	-	M32RC	-	6	0.197	0.559	0.559
MHB-61	0.591 - 0.826	15 - 21	-	M32C	-	-	M32RC	-	6	0.236	0.559	0.559
MHB-63	0.591 - 0.826	15 - 21	-	M32C	-	-	M32RC	-	8	0.157	0.559	0.559
MHB-64	0.591 - 0.826	15 - 21	-	M32C	-	-	M32RC	-	8	0.197	0.559	0.559
MHB-62	0.591 - 0.826	15 - 21	-	M32C	-	-	M32RC	-	9	0.118	0.559	0.559
MHB-65	0.591 - 0.826	15 - 21	-	M32C	-	-	M32RC	-	9	0.157	0.559	0.559
MHB-43	0.709 - 0.984	18 - 25	PG 29	M32	NPT 1"	PG 29	M32C, M40	NPT 1"	2	0.315	0.551	0.551
MHB-44	0.709 - 0.984	18 - 25	PG 29	M32	NPT 1"	PG 29	M32C, M40	NPT 1"	2	0.354	0.551	0.551
MHB-45	0.709 - 0.984	18 - 25	PG 29	M32	NPT 1"	PG 29	M32C, M40	NPT 1"	3	0.295	0.551	0.551
MHB-47	0.709 - 0.984	18 - 25	PG 29	M32	NPT 1"	PG 29	M32C, M40	NPT 1"	4	0.315	0.551	0.551
MHB-48	0.709 - 0.984	18 - 25	PG 29	M32	NPT 1"	PG 29	M32C, M40	NPT 1"	5	0.335	0.551	0.551
MHB-49	0.709 - 0.984	18 - 25	PG 29	M32	NPT 1"	PG 29	M32C, M40	NPT 1"	6	0.236	0.551	0.551
MHB-50	0.709 - 0.984	18 - 25	PG 29	M32	NPT 1"	PG 29	M32C, M40	NPT 1"	6	0.295	0.551	0.551
MHB-51	0.709 - 0.984	18 - 25	PG 29	M32	NPT 1"	PG 29	M32C, M40	NPT 1"	6	0.197	0.551	0.551
MHB-66	0.748 - 1.102	19 - 28	-	M40C	-	-	M40RC	-	2	0.394	0.669	0.669
MHB-67	0.748 - 1.102	19 - 28	-	M40C	-	-	M40RC	-	3	0.394	0.669	0.669
MHB-68	0.748 - 1.102	19 - 28	-	M40C	-	-	M40RC	-	4	0.315	0.669	0.669
MHB-69	0.748 - 1.102	19 - 28	-	M40C	-	-	M40RC	-	5	0.315	0.669	0.669
MHB-70	0.748 - 1.102	19 - 28	-	M40C	-	-	M40RC	-	5	0.354	0.669	0.669
MHB-71	0.748 - 1.102	19 - 28	-	M40C	-	-	M40RC	-	6	0.276	0.669	0.669
MHB-72	0.748 - 1.102	19 - 28	-	M40C	-	-	M40RC	-	8	0.236	0.669	0.669
MHB-73	0.748 - 1.102	19 - 28	-	M40C	-	-	M40RC	-	9	0.276	0.669	0.669
MHB-74	0.748 - 1.102	19 - 28	-	M40C	-	-	M40RC	-	10	0.236	0.669	0.669
MHB-75	0.748 - 1.102	19 - 28	-	M40C	-	-	M40RC	-	12	0.209	0.669	0.669
MHB-82	0.866 - 1.260	22 - 32	PG 36	M40	-	PG 36	M40C, M50	NPT 1 1/4"	5	0.354	0.661	0.661
MHB-83	0.866 - 1.260	22 - 32	PG 36	M40	-	PG 36	M40C, M50	NPT 1 1/4"	8	0.315	0.661	0.661

Contact SAB, if you have a different SAB gland than above.

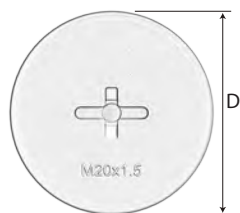
Hole Plug

Round or hex polyamide hole plugs, black or gray

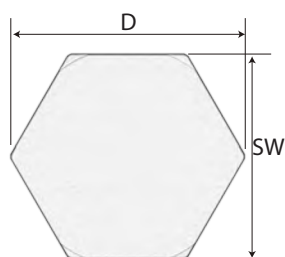
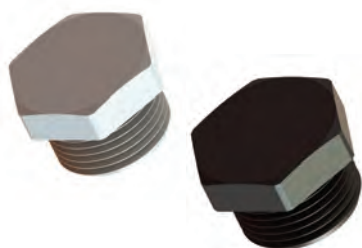
Metric & PG
Thread

Hole plugs are used where a pre-existing threaded hole exists with no cable that needs to be closed and protected. SAB offers a round and hex top Polyamide 6 product in gray or black & PG and metric thread.

Technical data:	
Material:	Polyamide 6
Temperature range:	
permanent:	-20°C to +100°C
intermittent:	-40°C to +150°C
Flammability:	V2 (according to UL 94)



Part Number		Thread Type	Plug Diameter (D)		Thread Length (TL)		Height (h)	
Gray	Black		inches	mm	inches	mm	inches	mm
Metric: Round								
HPR-17	HPR-24	M12x1.5	0.591	15.0	0.236	6	0.118	3.0
HPR-18	HPR-25	M16x1.5	0.768	19.5	0.236	6	0.134	3.4
HPR-19	HPR-26	M20x1.5	1.004	25.5	0.236	6	0.118	3.0
HPR-20	HPR-27	M25x1.5	1.181	30.0	0.394	10	0.157	4.0
HPR-21	HPR-28	M32x1.5	1.457	37.0	0.315	8	0.157	4.0
HPR-22	HPR-29	M40x1.5	1.811	46.0	0.315	8	0.177	4.5
HPR-23	HPR-30	M50x1.5	2.165	55.0	0.394	10	0.146	3.7
PG: Round								
HPR-01	HPR-09	PG 7	0.591	15.0	0.236	6	0.118	3.0
HPR-02	HPR-10	PG 9	0.768	19.5	0.236	6	0.118	3.0
HPR-03	HPR-11	PG 11	0.866	22.0	0.236	6	0.118	3.0
HPR-04	HPR-12	PG 13.5	0.984	25.0	0.236	6	0.118	3.0
HPR-05	HPR-13	PG 16	1.063	27.0	0.236	6	0.134	3.4
HPR-06	HPR-14	PG 21	1.299	33.0	0.315	8	0.157	4.0
HPR-07	HPR-15	PG 29	1.732	44.0	0.315	8	0.126	3.2
HPR-08	HPR-16	PG 36	2.165	55.0	0.394	10	0.146	3.7



Part Number		Thread Type	Plug Diameter (D)		Thread Length (TL)		Wrenching Flat (SW)		Height (h)	Overall Height (OH)
Gray	Black		inches	mm	inches	mm	inches	mm		
Metric: Hex										
HPH-01	HPH-13	M12x1.5	0.669	17.0	0.394	10.0	0.591	15	0.197	0.591
HPH-02	HPH-14	M16x1.5	0.866	22.0	0.433	11.0	0.748	19	0.169	0.602
HPH-03	HPH-15	M16x1.5	0.866	22.0	0.591	15.0	0.748	19	0.169	0.76
HPH-04	HPH-16	M20x1.5	1.024	26.0	0.433	11.0	0.906	23	0.236	0.669
HPH-06	HPH-18	M20x1.5	1.024	26.0	0.591	15.0	0.906	23	0.236	0.827
HPH-07	HPH-19	M25x1.5	1.260	32.0	0.394	10.0	1.102	28	0.228	0.622
HPH-08	HPH-20	M25x1.5	1.260	32.0	0.591	15.0	1.102	28	0.228	0.819
HPH-09	HPH-21	M32x1.5	1.634	41.5	0.591	15.0	1.417	36	0.307	0.898
HPH-10	HPH-22	M40x1.5	2.087	53.0	0.709	18.0	1.811	46	0.335	1.044
HPH-11	HPH-23	M50x1.5	2.500	63.5	0.709	18.0	2.165	55	0.374	1.083
HPH-12	HPH-24	M63x1.5	3.130	79.5	0.709	18.0	2.717	69	0.374	1.083

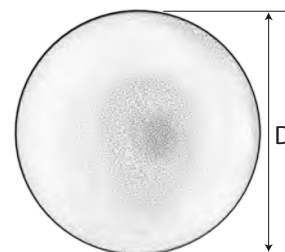
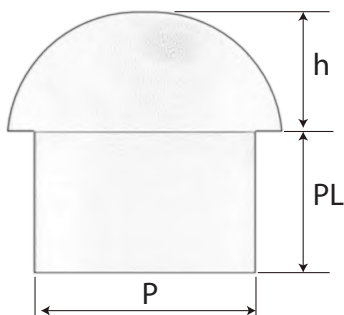
Dome Plugs

Sealing plug for cable glands based on clamping range

Dome Plugs are used for sealing cable glands when no cable is being used.

Technical data:

Material:	Polyamide 6
Temperature range:	
<i>permanent:</i>	-20°C to +100°C
<i>intermittent:</i>	-30°C to +150°C
Flammability:	V2 (according to UL 94)



Part Number		Dome Plug Fit into Clamping Range Ø min - max		Plug (ØP)		Length (PL)		Outer (ØD)		Height (h)	
Gray	Black	Standard Seal inches	Reducing Seal inches	inches	mm	inches	mm	inches	mm	inches	mm
DPG-01	DPB-01	-	0.079 - 0.197	0.157	4.0	0.472	12.0	0.362	9.2	0.157	4.0
DPG-02	DPB-02	0.118 - 0.256	-	0.252	6.4	0.472	12.0	0.362	9.2	0.157	4.0
DPG-03	DPB-03	-	0.079 - 0.236	0.197	5.0	0.551	14.0	0.413	10.5	0.197	5.0
DPG-04	DPB-04	0.157 - 0.315	-	0.315	8.0	0.539	13.7	0.413	10.5	0.185	4.7
DPG-05	DPB-05	-	0.118 - 0.276	0.276	7.0	0.591	15.0	0.524	13.3	0.224	5.7
DPG-06	DPB-06	0.197 - 0.394	-	0.382	9.7	0.354	9.0	0.524	13.3	0.209	5.3
DPG-07	DPB-07	-	0.197 - 0.354	0.335	8.5	0.512	13.0	0.622	15.8	0.303	7.7
DPG-08	DPB-08	0.236 - 0.472	-	0.472	12.0	0.512	13.0	0.622	15.8	0.315	8.0
DPG-09	DPB-09	0.276 - 0.512	-	0.512	13.0	0.551	14.0	0.622	15.8	0.295	7.5
DPG-10	DPB-10	-	0.276 - 0.472	0.433	11.0	0.531	13.5	0.709	18.0	0.335	8.5
DPG-11	DPB-11	0.394 - 0.551	-	0.535	13.6	0.531	13.5	0.709	18.0	0.343	8.7
DPG-12	DPB-12	-	0.354 - 0.512	0.512	13.0	0.571	14.5	0.787	20.0	0.276	7.0
DPG-13	DPB-13	0.433 - 0.669	-	0.646	16.4	0.571	14.5	0.783	19.9	0.287	7.3
DPG-14	DPB-14	-	0.354 - 0.63	0.551	14.0	0.551	14.0	0.866	22.0	0.374	9.5
DPG-15	DPB-15	0.512 - 0.709	-	0.701	17.8	0.551	14.0	0.866	22.0	0.394	10.0
DPG-16	DPB-16	-	0.433 - 0.591	0.634	16.1	0.610	15.5	0.945	24.0	0.354	9.0
DPG-17	DPB-17	0.591 - 0.827	-	0.803	20.4	0.610	15.5	0.949	24.1	0.362	9.2
DPG-18	DPB-18	-	0.472 - 0.787	0.776	19.7	0.591	15.0	1.122	28.5	0.382	9.7
DPG-19	DPB-19	0.709 - 0.984	-	0.984	25.0	0.591	15.0	1.122	28.5	0.382	9.7
DPG-20	DPB-20	-	0.63 - 0.906	0.807	20.5	0.622	15.8	1.240	31.5	0.362	9.2
DPG-21	DPB-21	0.748 - 1.102	-	1.075	27.3	0.622	15.8	1.240	31.5	0.362	9.2
DPG-22	DPB-22	-	0.787 - 1.024	1.012	25.7	0.669	17.0	1.449	36.8	0.421	10.7
DPG-23	DPB-23	0.866 - 1.26	-	1.252	31.8	0.669	17.0	1.449	36.8	0.421	10.7
DPG-24	DPB-24	-	0.984 - 1.22	1.205	30.6	0.795	20.2	1.705	43.3	0.469	11.9
DPG-25	DPB-25	1.181 - 1.496	-	1.496	38.0	0.795	20.2	1.705	43.3	0.469	11.9
DPG-26	DPB-26	-	1.142 - 1.378	1.362	34.6	0.886	22.5	2.008	51.0	0.630	16.0
DPG-27	DPB-27	1.339 - 1.732	-	1.740	44.2	0.886	22.5	2.008	51.0	0.630	16.0

Metal Round Hole Plugs

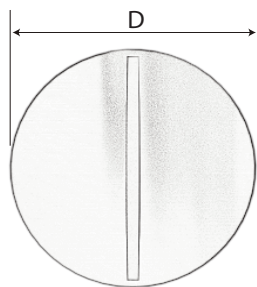
Hole plug for sealing threaded holes

Metric & PG
Thread

Hole plugs are used where a pre-existing threaded hole exists with no cable that needs to be closed and protected. SAB offers a round nickel plated brass hole plug with PG and metric thread.

Technical data:

Material:	Brass, Nickel Plated
Protection:	IP 65, 5 Bar
Temperature range:	-30°C to +100°C



Part Number	Thread Type	Plug Diameter (D)		Thread Length (TL)		Height (H)		Overall Height (OH)	
		inches	mm	inches	mm	inches	mm	inches	mm
Metric:									
HPM-01	M12X1.5	0.591	15	0.236	6.0	0.098	2.5	0.334	8.5
HPM-02	M16X1.5	0.748	19	0.276	7.0	0.118	3.0	0.394	10
HPM-03	M20X1.5	0.906	23	0.315	8.0	0.118	3.0	0.433	11
HPM-04	M25X1.5	1.142	29	0.315	8.0	0.157	4.0	0.472	12
HPM-05	M32X1.5	1.417	36	0.354	9.0	0.157	4.0	0.511	13
HPM-06	M40X1.5	1.732	44	0.354	9.0	0.157	4.0	0.511	13
HPM-07	M50X1.5	2.126	54	0.354	9.0	0.197	5.0	0.551	14
HPM-08	M63X1.5	2.717	69	0.394	10.0	0.236	6.0	0.630	16
PG:									
HPM-09	PG 7	0.630	16	0.236	6.0	0.118	3.0	0.354	9
HPM-10	PG 9	0.748	19	0.236	6.0	0.118	3.0	0.354	9
HPM-11	PG 11	0.866	22	0.236	6.0	0.118	3.0	0.354	9
HPM-12	PG 13.5	0.945	24	0.256	6.5	0.118	3.0	0.374	9.5
HPM-13	PG 16	1.024	26	0.256	6.5	0.118	3.0	0.374	9.5
HPM-14	PG 21	1.299	33	0.276	7.0	0.157	4.0	0.433	11
HPM-15	PG 29	1.654	42	0.315	8.0	0.157	4.0	0.472	12
HPM-16	PG 36	2.047	52	0.354	9.0	0.236	6.0	0.590	15

* Available with O-Ring
+ Available in stainless steel

O-Rings

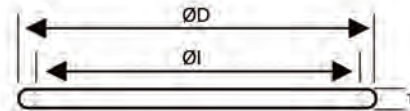
Fits Metric, PG, & NPT thread



Technical data:

Material:

Butadiene-Nitrile 70 (NBR)



Part Number	metric	PG	NPT	O.D. (D)	I.D. (I)	thickness (T)
				inches	inches	inches
OR-12	M12 x 1.5	—	—	0.504	0.364	0.070
OR-07	—	PG 7	—	0.566	0.426	0.070
OR-38	M16 x 1.5	PG 9	NPT 3/8	0.629	0.489	0.070
OR-11	—	PG 11	—	0.754	0.614	0.070
OR-20	M20 x 1.5	—	—	0.816	0.676	0.070
OR-13	—	PG 13.5	NPT 1/2	0.879	0.739	0.070
OR-16	—	PG 16	—	0.941	0.801	0.070
OR-25	M25 x 1.5	—	—	1.004	0.864	0.070
OR-21	—	PG 21	NPT 3/4	1.129	0.989	0.070
OR-32	M32 x 1.5	—	—	1.181	1.024	0.079
OR-01	—	—	NPT 1	1.380	1.174	0.103
OR-40	M40 x 1.5	PG 29	NPT 1 1/4	1.569	1.362	0.103
OR-36	M50 x 1.5	PG 36	NPT 1 1/2	1.943	1.737	0.103
OR-42	—	PG 42	NPT 1 3/4	2.193	1.987	0.103
OR-48	M63 x 1.5	PG 48	NPT 2	2.443	2.237	0.103

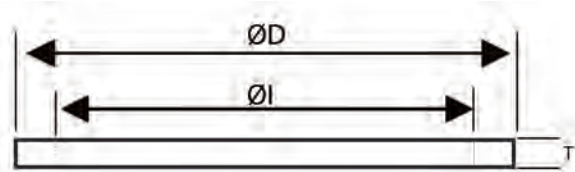
Flat Washer

Fits Metric, PG, & NPT thread

Technical data:

Material:

Neoprene® 80

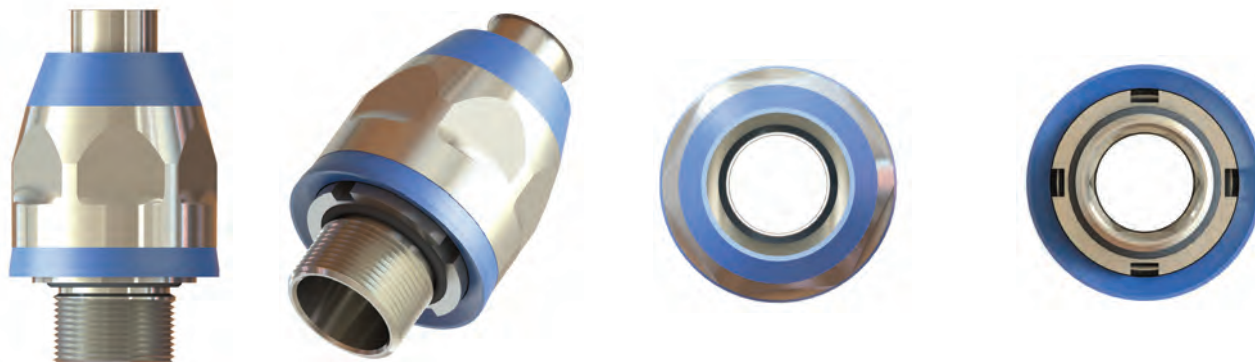


Part Number	metric	PG	NPT	O.D. (D)		I.D. (I)		thickness (T)	
				inches	mm	inches	mm	inches	mm
FWN-12	M12 1 X 1.5			0.610	15.50	0.406	10.30	0.059	1.5
FWN-7		PG 7		0.669	17.00	0.453	11.50	0.059	1.5
FWN-16M	M16 1 X 1.5			0.846	21.50	0.563	14.30	0.059	1.5
FWN-9		PG 9		0.858	21.80	0.571	14.50	0.059	1.5
FWN-3/8			NPT 3/8"	0.945	24.00	0.646	16.40	0.079	2.0
FWN-11		PG 11		1.016	25.80	0.689	17.50	0.059	1.5
FWN-20	M20 1 X 1.5			1.024	26.00	0.728	18.50	0.059	1.5
FWN-13		PG 13.5		1.094	27.80	0.780	19.80	0.059	1.5
FWN-1/2			NPT 1/2"	1.142	29.00	0.803	20.40	0.079	2.0
FWN-16		PG 16		1.173	29.80	0.858	21.80	0.059	1.5
FWN-25	M25 1 X 1.5			1.240	31.50	0.917	23.30	0.059	1.5
FWN-21		PG 21	NPT 3/4"	1.409	35.80	1.063	27.00	0.059	1.5
FWN-32	M32 1 X 1.5			1.516	38.50	1.201	30.50	0.059	1.5
FWN-29		PG 29	NPT 1"	1.843	46.80	1.398	35.50	0.059	1.5

Hygienic Cable Glands & Conduit Fittings

Hygienic Glands & Fittings

Stainless steel cable glands and conduit fittings



These fittings are made especially for areas of public health, safety, and protection of the environment. Applications range from the food and beverage industry to the chemical processing industry to cleanrooms because the stainless steel cable fittings and gland boast a smooth surface, with all of the threads beneath the cap nut, preventing the depositing of harmful microorganisms.

The benefits of this range include:

- Much easier, faster, and less expensive to clean
- Reduced energy and use of chemicals compared to conventional stainless steel conduit fittings
- Resistant to high-pressure water jet cleaning (IP 69K)
- Greater durability because of superior product quality
- Reliable strain relief due to duplicate cable attachment
- Chemical resistant
- Sustains disinfectant, cleaners, and acids or alkalies
- Suitable for high pressure steam cleaning

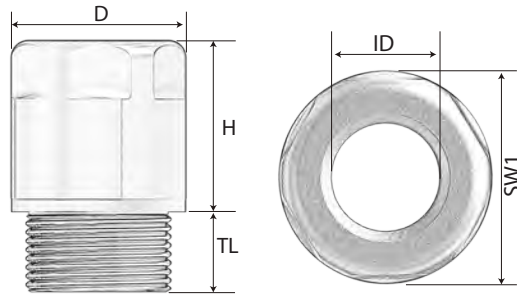


Hygienic Cable Glands

CG Clean

Stainless steel hygienic cable gland, standard and EMC

Metric & NPT
Thread

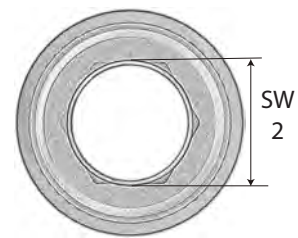


Technical data:

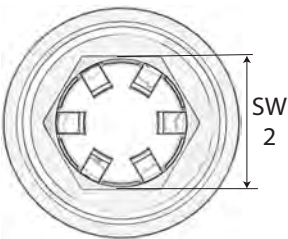
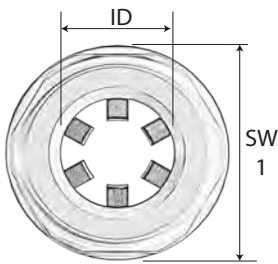
Material:	Stainless steel 1.4305 (AISI 303)
Seals:	EPDM according to FDA Guideline 21 CFR 177.2600
Clamping Insert:	POM
Protection type:	IP 68 (5 Bar, 30 min.) acc. to EN 60529 IP 69; IP 66
Temperature range:	<i>permanent:</i> -20°C to +100°C <i>intermittent:</i> -40°C to +150°C
Locknut:	Stainless steel
Approvals:	UL, VDE, DNV-GL, NSF, CE

Part Number	Thread Type	Clamping Range Ø min-max		Wrenching Flats		Outer Diameter (OD)	Thread Length (TL)	Height (H)	Installation Tool
		inches	mm	Cap (SW1) inches	Bottom (SW2) inches				
Metric									
HCGM-12	M12x1.5	0.118 - 0.256	3.0 - 6.5	0.551	0.276	0.614	0.236	0.925	HCGT-01
HCGM-16	M16x1.5	0.197 - 0.394	5.0 - 10.0	0.709	0.394	0.795	0.276	1.043	HCGT-02
HCGM-20	M20x1.5	0.236 - 0.472	6.0 - 12.0	0.866	0.512	0.949	0.315	1.161	HCGT-03
HCGM-25	M25x1.5	0.472 - 0.669	12.0 - 17.0	1.102	0.669	1.185	0.394	1.280	HCGT-04
Metric: EMC									
HCGE-16	M16x1.5	0.197 - 0.394	5.0 - 10.0	0.709	0.394	0.795	0.276	1.28	HCGT-02
HCGE-20	M20x1.5	0.236 - 0.472	6.0 - 12.0	0.866	0.512	0.949	0.315	1.398	HCGT-03
HCGE-25	M25x1.5	0.472 - 0.669	12.0 - 17.0	1.102	0.669	1.185	0.394	1.614	HCGT-04
NPT									
HCGN-1/4	NPT 1/4"	0.118 - 0.256	3.0 - 6.5	0.709	0.276	0.795	0.394	0.925	HCGT-01
HCGN-3/8	NPT 3/8"	0.197 - 0.394	5.0 - 10.0	0.866	0.394	0.949	0.394	1.083	HCGT-02
HCGN-1/2	NPT 1/2"	0.236 - 0.472	6.0 - 12.0	1.102	0.512	1.185	0.433	1.201	HCGT-03
HCGN-3/4	NPT 3/4"	0.472 - 0.669	12.0 - 17.0	1.378	0.669	1.496	0.472	1.319	HCGT-04
NPT: EMC									
HCGE-3/8	NPT 3/8"	0.197 - 0.394	5.0 - 10.0	0.866	0.394	0.949	0.394	1.299	HCGT-02
HCGE-1/2	NPT 1/2"	0.236 - 0.472	6.0 - 12.0	1.102	0.512	1.185	0.433	1.417	HCGT-03
HCGE-3/4	NPT 3/4"	0.472 - 0.669	12.0 - 17.0	1.378	0.669	1.496	0.472	1.634	HCGT-04

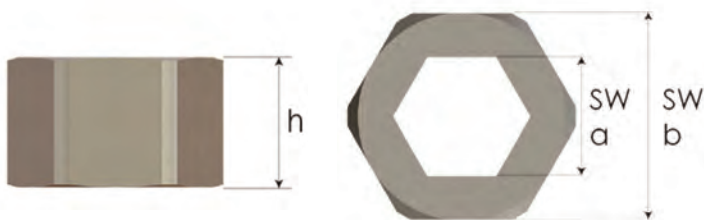
Locknut included, dimensions are on page N27



EMC Version



TOOLS FOR INSTALLATION



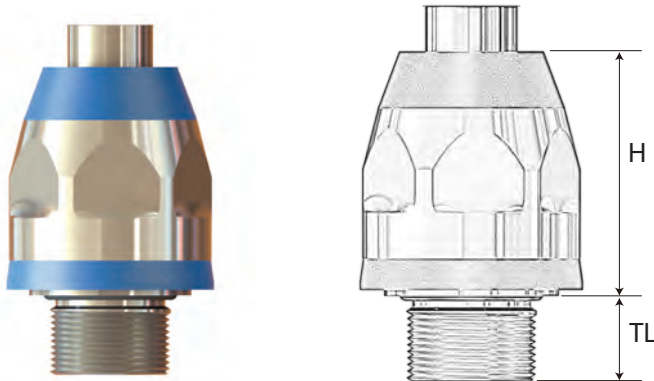
Part Number	Thread Type	Allen Screw SW a inches	Spanner Width SW b inches	Height h inches
HCGT-01	M12, NPT 1/4"	0.197	0.276	0.197
HCGT-02	M16, NPT 3/8"	0.236	0.394	0.197
HCGT-03	M20, NPT 1/2"	0.315	0.512	0.315
HCGT-04	M25, NPT 3/4"	0.394	0.669	0.315

Hygienic Conduit Fittings

CF Clean

Stainless steel cable glands and conduit fittings

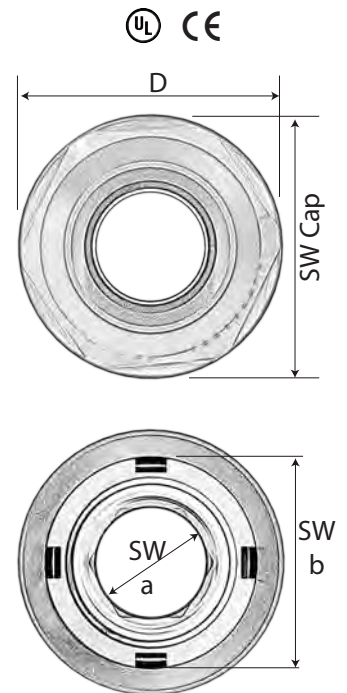
Metric & NPT
Thread



Technical data:	
Material:	Stainless steel 1.4305 (AISI 303)
Seals:	TPE according to FDA Guideline 21 CFR 177.2600
Pressure ring:	PA 6 (Polyamide)
O-ring:	NBFR
Ferrule:	Brass
Protection type:	IP 65 IP 66
Temperature range:	
permanent:	-20°C to +100°C
intermittent:	-40°C to +150°C
Locknut:	Stainless steel 1.4305 (AISI 303L)
Approvals:	UL, NSF, CE

Part Number	Thread Type	Spanner Width (SW Cap) inches	Allen Screw (SW a) inches	Crescent Wrench (SW b) inches	Outer Diameter (OD) inches	Thread Length (TL) inches	Height (H) inches	Installation Tool
Metric								
HC FM-16	M16x1.5	1.063	0.433	0.945	1.224	11.5	1.535	HCFT-01
HC FM-20	M20x1.5	1.181	0.551	1.063	1.339	13.0	1.555	HCFT-02
HC FM-25	M25x1.5	1.417	0.748	1.299	1.614	15.0	1.752	HCFT-03
HC FM-32	M32x1.5	1.811	0.984	1.654	2.075	15.0	2.106	HCFT-04
HC FM-40	M40x1.5	2.126	1.26	1.969	2.441	16.0	2.402	HCFT-10
HC FM-50	M50x1.5	2.48	1.417	2.283	2.756	18.0	2.579	HCFT-11
HC FM-63	M63x1.5	3.031	1.89	2.835	3.331	20.0	2.776	HCFT-07
NPT								
HC FN-3/8	NPT 3/8"	1.063	0.433	0.945	1.224	15.3	1.535	HCFT-01
HC FN-1/2	NPT 1/2"	1.181	0.551	1.063	1.339	19.9	1.555	HCFT-02
HC FN-3/4	NPT 3/4"	1.417	0.748	1.299	1.614	20.2	1.752	HCFT-03
HC FN-1	NPT 1"	1.811	0.945	1.654	2.075	25.0	2.106	HCFT-08
HC FN-1-1/4	NPT 1 1/4"	2.126	1.22	1.969	2.441	25.6	2.421	HCFT-09
HC FN-1-1/2	NPT 1 1/2"	2.48	1.417	2.283	2.756	26.0	2.579	HCFT-10
HC FN-2	NPT 2"	3.031	1.811	2.835	3.331	26.9	2.776	HCFT-11

Locknut included, dimensions are on page N27



TOOLS FOR INSTALLATION



Part Number	Thread Type	Allen Screw SW a inches	Crescent Wrench SW b inches
HCFT-01	M16, NPT 3/8"	0.433	0.945
HCFT-02	M20, NPT 1/2"	0.551	1.063
HCFT-03	M25, NPT 3/4"	0.748	1.299
HCFT-08	NPT 1"	0.945	1.654
HCFT-04	M32	0.984	1.654
HCFT-09	NPT 1 1/4"	1.220	1.969
HCFT-10	M40	1.260	1.969
HCFT-06	M50	1.417	2.283
HCFT-11	NPT 2"	1.811	2.835
HCFT-07	M63	1.890	2.835

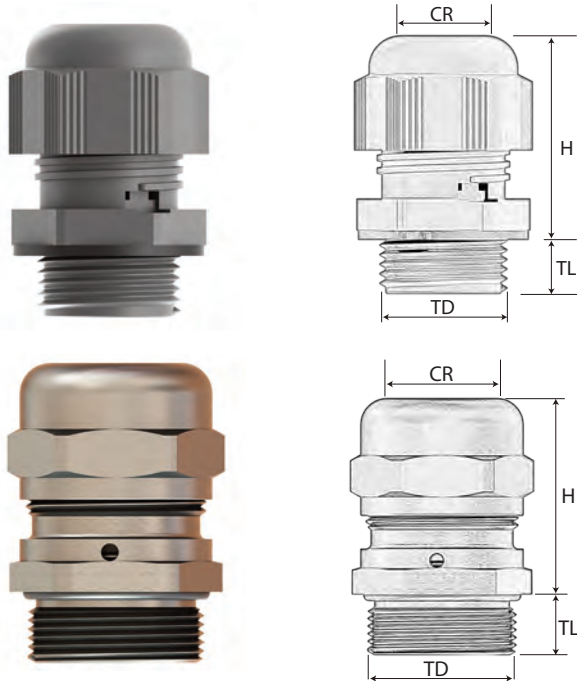
Ventilation Glands

VG Vent PA6 / NPB

Polyamide vent gland, black or gray / Nickel plated brass vent gland

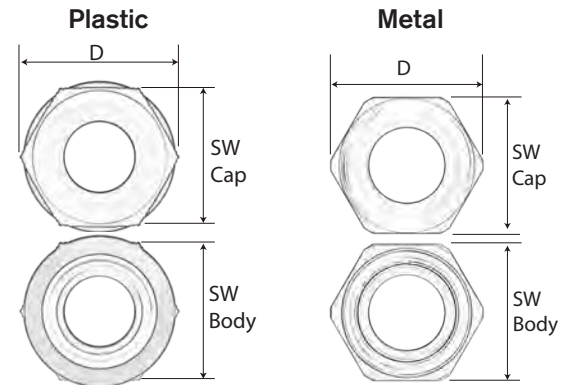
Metric & PG Thread

Vent glands are used to secure a cable and balance the pressure in an enclosure to protect electronic connections from condensation. They are UL approved and chemical resistant. The vent plugs come in black or gray polyamide or nickel plated brass with different air flow ratings.



Technical data:

Material:	Brass, Nickel Plated or Polyamide 6
Cap:	Brass, Nickel Plated or Polyamide 6
Vent element:	PTFE
Seal:	Chloroprene (CR)
Washer:	Neoprene (NBR)
Protection type:	IP 66/67
Temperature range:	
<i>permanent:</i>	-20°C to +100°C
<i>intermittent:</i>	-30°C to +150°C
Approvals:	cURus, cCSAus, VDE, DNV-GL, CE



Part Number	Average Air Flow	Water Intrusion	Thread Size	Clamping Range		Thread Length	Thread Diameter	Wrenching Flats Cap & Body (SW)	Outer Diameter (D)	max. Height (H)
				(CR)	(CR)					
Gray	Black	I/h	Pressure bar	inches	mm	(TL)	(TD)	inches	inches	inches
Plastic Vent Glands										
VGMG-12	VGMB-12	25	0.1	M12x1.5	0.157 - 0.276	4.0 - 7.0	0.315	0.472	0.748	1.114
VGPG-9	VGPB-9	25	0.1	PG 9	0.157 - 0.276	4.0 - 7.0	0.315	0.598	0.748	1.114
VGMG-16	VGMB-16	25	0.1	M16x1.5	0.157 - 0.276	4.0 - 7.0	0.394	0.630	0.748	1.114
VGPG-11	VGPB-11	25	0.1	PG 11	0.157 - 0.276	4.0 - 7.0	0.315	0.732	0.748	1.114
VGMG-20	VGMB-20	40	0.1	M20x1.5	0.236 - 0.433	6.0 - 11.0	0.394	0.787	0.945	1.311
VGPG-13	VGPB-13	40	0.1	PG 13.5	0.236 - 0.433	6.0 - 11.0	0.354	0.803	0.945	1.311
Metal Vent Glands										
VGMM-12		25	0.1	M12x1.5	0.157 - 0.276	4.0 - 7.0	0.315	0.472	0.669	1.280
VGPM-7		25	0.1	PG 7	0.157 - 0.276	4.0 - 7.0	0.315	0.492	0.669	1.280
VGPM-9		25	0.1	PG 9	0.157 - 0.276	4.0 - 7.0	0.315	0.598	0.669	1.142
VGMM-16		25	0.1	M16x1.5	0.157 - 0.276	4.0 - 7.0	0.315	0.630	0.669	1.142
VGMM-16L		35	0.1	M16x1.5	0.197 - 0.354	5.0 - 9.0	0.315	0.630	0.787	1.417
VGPM-11		35	0.1	PG 11	0.197 - 0.354	5.0 - 9.0	0.315	0.732	0.787	1.417
VGMM-20		50	0.1	M20x1.5	0.236 - 0.433	6.0 - 11.0	0.315	0.787	0.866	1.280
VGPM-13		50	0.1	PG 13.5	0.236 - 0.433	6.0 - 11.0	0.354	0.803	0.866	1.280

cCSAus approval for plastic glands only.
VDE approved for metric threads only

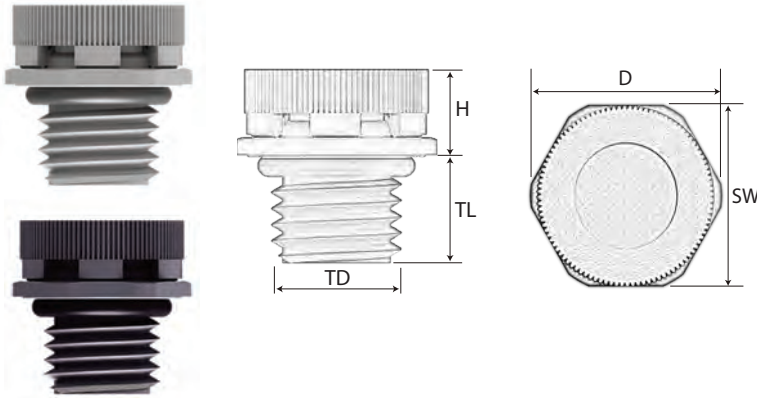
Ventilation Plugs

VP Vent PA6

Polyamide vent plug, black or gray

Metric Thread
and Quick Fit

Vent plugs are used to balance the pressure in an enclosure to protect electronic connections from condensation. They are UL approved and chemical resistant. The vent plugs come in black or gray polyamide with different air flow ratings.



Technical data:

Body:	Polyamide 6
Cap:	Polyamide 6
Vent element:	Acrylic Co-Polymer on Nylon Support
Seal:	Chloroprene (CR)
Washer:	Neoprene (NBR)
Protection type:	IP 67/68 (for water intrusion pressure oil bar)
Temperature range:	
<i>permanent:</i>	-20°C to +100°C
<i>intermittent:</i>	-30°C to +150°C
Approvals:	cURus, CE



Part Number		Average Air Flow	Water Intrusion	Thread Size	Thread Length (TL)	Thread Diameter (TD)	Outer Diameter (D)	max. Height (H)	UL
Gray	Black	l/h	Pressure bar		inches	inches	inches	inches	
VPG-01	VPB-01	16	0.9	QUICK FIT	0.295	0.217	0.728	0.429	-
VPG-02	VPB-02	16	0.9	M12x1.5	0.236	0.472	0.728	0.299	cURus
VPG-02L	VPB-02L	16	0.9	M12x1.5	0.394	0.472	0.728	0.299	cURus
VPG-03	VPB-03	25	0.5	QUICK FIT	0.295	0.217	0.728	0.429	-
VPG-04	VPB-04	25	0.5	M12x1.5	0.236	0.472	0.728	0.299	cURus
VPG-04L	VPB-04L	25	0.5	M12x1.5	0.394	0.472	0.728	0.299	cURus
VPG-04H	VPB-04H	42	0.9	M12x1.5	0.394	0.472	1.024	0.461	-
VPG-05	VPB-05	42	0.9	M16x1.5	0.394	0.630	1.024	0.461	-
VPG-06	VPB-06	42	0.9	M20x1.5	0.394	0.787	1.024	0.461	-
VPG-07	VPB-07	120	0.2	QUICK FIT	0.295	0.217	0.728	0.429	-
VPG-08H	VPB-08H	120	0.5	M12x1.5	0.394	0.472	1.024	0.461	-
VPG-08	VPB-08	120	0.2	M12x1.5	0.236	0.472	0.728	0.299	cURus
VPG-08L	VPB-08L	120	0.2	M12x1.5	0.394	0.472	0.728	0.299	cURus
VPG-09	VPB-09	120	0.5	M16x1.5	0.394	0.630	1.024	0.461	-
VPG-10	VPB-10	120	0.5	M20x1.5	0.394	0.787	1.024	0.461	-
VPG-11	VPB-11	120	0.9	M40x1.5	0.709	1.575	2.177	0.610	-
VPG-12	VPB-12	300	0.1	QUICK FIT	0.295	0.217	0.728	0.429	-
VPG-13	VPB-13	300	0.1	M12x1.5	0.236	0.472	0.728	0.299	cURus
VPG-13L	VPB-13L	300	0.1	M12x1.5	0.394	0.472	0.728	0.299	cURus
VPG-14	VPB-14	375	0.5	M40x1.5	0.709	1.575	2.185	0.610	-
VPG-15	VPB-15	450	0.2	M12x1.5	0.394	0.472	1.024	0.461	-
VPG-16	VPB-16	450	0.2	M16x1.5	0.394	0.630	1.024	0.461	-
VPG-17	VPB-17	450	0.2	M20x1.5	0.394	0.787	1.024	0.461	-
VPG-18	VPB-18	750	0.1	M12x1.5	0.394	0.472	1.024	0.461	-
VPG-19	VPB-19	750	0.1	M16x1.5	0.394	0.630	1.024	0.461	-
VPG-20	VPB-20	750	0.1	M20x1.5	0.394	0.787	1.024	0.461	-
VPG-21	VPB-21	1350	0.2	M40x1.5	0.709	1.575	2.177	0.610	-
VPG-22	VPB-22	2200	0.1	M40x1.5	0.709	1.575	2.177	0.610	-

Ventilation Plugs

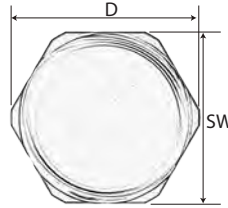
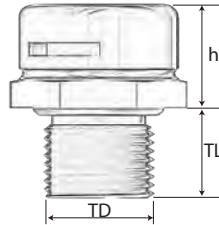
VP Vent Plug Metal

Stainless steel vent plug

Metric & PG Thread

Vent plugs are used to balance the pressure in an enclosure to protect electronic connections from condensation. They are UL approved and chemical resistant. The vent plugs are stainless steel AISI 303 and come with different air flow ratings.

Style C

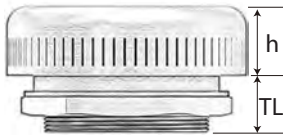
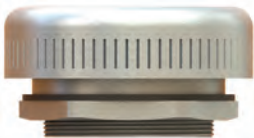


Technical data:

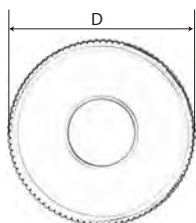
Body:	Stainless steel AISI 303
Cap:	Stainless steel AISI 303
Vent element:	Acrylic Co-Polymer on Nylon Support
Seal:	Chloroprene (CR)
Washer:	Neoprene (NBR)
Protection type:	IP 67/68 (for water intrusion pressure oil bar)
Temperature range:	
<i>permanent:</i>	-20°C to +100°C
<i>intermittent:</i>	-30°C to +150°C
Approvals:	cURus



Style D



Style G



Part Number	Style	Average Air Flow	Water Intrusion	Thread Size	Thread Length (TL)	Thread Diameter (TD)	Outer Diameter (D)	max. Height (H)	UL
		l/h	Pressure bar						
VPM-01	G	4	0.9	M4x0.7	0.118	0.157	0.484	0.106	-
VPM-02	G	7	0.5	M4x0.7	0.118	0.157	0.484	0.106	-
VPM-03	C	16	0.9	M12x1.5	0.236	0.472	0.740	0.433	cURus
VPM-03L	C	16	0.9	M12x1.5	0.394	0.472	0.740	0.433	cURus
VPM-04	C	16	0.9	PG 7	0.413	0.492	0.740	0.433	cURus
VPM-05	C	16	0.9	M16x1.5	0.236	0.630	0.787	0.472	-
VPM-05H	C	16	0.9	M16x1.5	0.236	0.630	0.787	0.630	-
VPM-06	C	16	0.9	M20x1.5	0.236	0.787	0.965	0.512	-
VPM-06H	C	16	0.9	M20x1.5	0.236	0.787	0.965	0.669	-
VPM-07	C	25	0.5	M12x1.5	0.236	0.472	0.740	0.433	cURus
VPM-07L	C	25	0.5	M12x1.5	0.394	0.472	0.740	0.433	cURus
VPM-08	C	25	0.5	PG 7	0.413	0.492	0.740	0.433	cURus
VPM-09	C	25	0.5	M16x1.5	0.236	0.630	0.787	0.472	-
VPM-09L	C	25	0.5	M16x1.5	0.236	0.630	0.787	0.630	-
VPM-10	C	25	0.5	M20x1.5	0.236	0.787	0.965	0.512	-
VPM-10H	C	25	0.5	M20x1.5	0.236	0.787	0.965	0.669	-
VPM-11	G	35	0.2	M4x0.7	0.118	0.157	0.484	0.106	-
VPM-12	G	100	0.1	M4x0.7	0.118	0.157	0.484	0.106	-
VPM-13	C	120	0.2	M12x1.5	0.236	0.472	0.740	0.433	cURus
VPM-13L	C	120	0.2	M12x1.5	0.394	0.472	0.740	0.433	cURus
VPM-14	C	120	0.2	PG 7	0.413	0.492	0.740	0.433	cURus
VPM-15	C	120	0.2	M16x1.5	0.236	0.630	0.787	0.472	-
VPM-15H	C	120	0.2	M16x1.5	0.236	0.630	0.787	0.630	-
VPM-16	C	120	0.2	M20x1.5	0.236	0.787	0.965	0.512	-
VPM-16H	C	120	0.2	M20x1.5	0.236	0.787	0.965	0.669	-
VPM-17	D	120	0.9	M40x1.5	0.394	1.575	2.283	0.807	cURus
VPM-18	C	300	0.1	M12x1.5	0.236	0.472	0.740	0.433	cURus
VPM-18L	C	300	0.1	M12x1.5	0.394	0.472	0.740	0.433	cURus
VPM-19	C	300	0.1	PG 7	0.413	0.492	0.740	0.433	cURus
VPM-20	C	300	0.1	M16x1.5	0.236	0.630	0.787	0.472	-
VPM-20H	C	300	0.1	M16x1.5	0.236	0.630	0.787	0.630	-
VPM-21	C	300	0.1	M20x1.5	0.236	0.787	0.965	0.512	-
VPM-22	D	375	0.5	M40x1.5	0.394	1.575	2.283	0.807	cURus
VPM-23	D	1350	0.2	M40x1.5	0.394	1.575	2.283	0.807	cURus
VPM-24	D	2200	0.1	M40x1.5	0.394	1.575	2.283	0.807	cURus

Cord Grips & Accessories

Thread Dimensions & Hole Sizes

■ Thread Standards Metric acc. to EN 60423

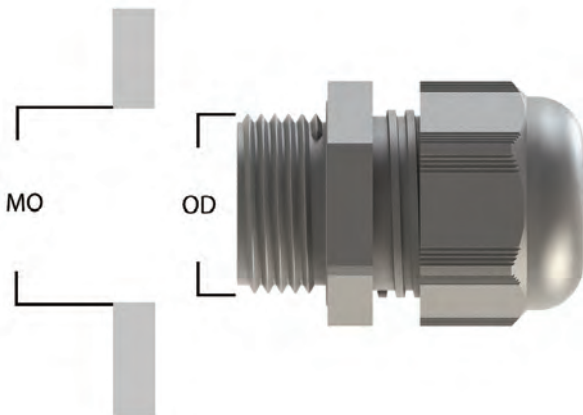
Size	Outer Diameter max. (OD)		Mounting Hole Diameter max. (MO)	
	mm	inch	mm	inch
M12	12	0.47	12.2	0.48
M16	16	0.63	16.2	0.64
M20	20	0.79	20.2	0.80
M25	25	0.98	25.2	0.99
M32	32	1.26	32.2	1.27
M40	40	1.57	40.2	1.66
M50	50	1.97	50.3	1.98
M63	63	2.48	63.3	2.49
M72	72	2.83	72.3	2.85
M75	75	2.95	75.3	2.96
M80	80	3.15	80.3	3.16
M85	85	3.35	85.3	3.36
M90	90	3.54	90.3	3.56
M100	100	3.94	100.3	3.95
M110	110	4.33	110.3	4.34

■ Thread Standard PG acc. to DIN 40430

Size	Outer Diameter max. (OD)		Mounting Hole Diameter max. (MO)	
	mm	inch	mm	inch
PG 7	12.5	0.49	12.7	0.50
PG 9	15.2	0.60	15.4	0.61
PG 11	18.6	0.73	18.8	0.74
PG 13.5	20.4	0.80	20.7	0.81
PG 16	22.5	0.89	22.7	0.89
PG 21	28.3	1.11	28.5	1.12
PG 29	37.0	1.46	37.2	1.46
PG 36	47.0	1.85	47.3	1.86
PG 42	54.0	2.13	54.3	2.14
PG 48	59.3	2.33	59.6	2.35

■ Thread Standard NPT acc. to ANSI B1.20.1

Size	Outer Diameter max. (OD)		Mounting Hole Diameter max. (MO)	
	mm	inch	mm	inch
NPT 1/4"	13.72	0.54	14.0	0.55
NPT 3/8"	17.15	0.68	17.5	0.69
NPT 1/2"	21.34	0.84	21.5	0.85
NPT 3/4"	26.67	1.05	27.0	1.06
NPT 1"	33.40	1.31	34.0	1.34
NPT 1 1/4"	42.16	1.66	42.5	1.67
NPT 1 1/2"	48.26	1.90	48.5	1.91
NPT 2"	60.33	2.38	60.5	2.38



Cord Grips & Accessories

Torque Values for Polyamide 6 Cable Glands

Cable Gland Plastic (NPT)	CAP BODY LOCK NUT			Body to Enclosure or locknut to body* (Min Torque Value to Ensure Declared IP rate)		Locknut thickness
	Cable Range (mm)	Recommended tightening torque		Recommended tightening torque		Height (mm)
		Nm	Tolerance	Nm	Tolerance	
NPT 3/8"	5 - 10	2.5	± 0.5	1.0	± 0.5	7.0
NPT 1/2"	6 - 12	5.0	± 0.5	2.0	± 0.5	7.0
NPT 1/2"	10 - 14	5.5	± 0.5	2.0	± 0.5	7.0
NPT 3/4"	13 - 18	9.0	± 0.5	3.0	± 0.5	7.0
NPT 1"	18 - 25	9.5	± 0.5	4.0	± 1.0	7.0

Cable Gland Plastic (Metric)	CAP BODY LOCK NUT			Body to Enclosure or locknut to body* (Min Torque Value to Ensure Declared IP rate)		Locknut thickness
	Cable Range (mm)	Recommended tightening torque		Recommended tightening torque		Height (mm)
		Nm	Tolerance	Nm	Tolerance	
M12 X 1.5	3 - 6.5	2.0	± 0.5	2.0	± 0.5	5.0
M16 x 1.5	4 - 10	2.5	± 0.5	2.5	± 0.5	5.0
M16 x 1.5	5 - 10	2.5	± 0.5	2.5	± 0.5	5.0
M20 x 1.5	6 - 12	4.0	± 0.5	3.5	± 1.0	6.0
M20 x 1.5	10 - 14	5.5	± 0.5	3.5	± 1.0	6.0
M25 x 1.5	13 - 18	9.0	± 1.0	3.5	± 1.0	6.0
M32 x 1.5	18 - 25	10.0	± 1.0	5.0	± 1.5	7.0
M40 x 1.5	22 - 32	20.0	± 1.5	5.0	± 1.5	7.0
M50 x 1.5	30 - 38	20.0	± 2.0	8.0	± 1.5	8.0
M63 x 1.5	34 - 44	20.0	± 2.5	12.0	± 1.5	8.0

Cable Gland Plastic (PG)	CAP BODY LOCK NUT			Body to Enclosure or locknut to body* (Min Torque Value to Ensure Declared IP rate)		Locknut thickness
	Cable Range (mm)	Recommended tightening torque		Recommended tightening torque		Height (mm)
		Nm	Tolerance	Nm	Tolerance	
PG 7	3 - 6.5	2.0	± 0.5	1.5	± 0.3	5.0
PG 9	4 - 8	2.0	± 0.5	1.5	± 0.3	5.0
PG 11	5 - 10	2.5	± 0.5	2.0	± 0.5	5.0
PG 13.5	6 - 12	4.0	± 0.5	3.0	± 0.5	6.0
PG 16	10 - 14	5.5	± 0.5	3.5	± 1.0	6.0
PG 21	13 - 18	9.0	± 0.5	4.0	± 1.0	7.0
PG 29	18 - 25	7.7	± 0.5	9.0	± 1.5	7.0
PG 36	22 - 32	16.0	± 0.5	11.0	± 1.5	8.0
PG 42	30 - 38	20.0	± 1.0	14.0	± 2.0	8.0
PG 48	34 - 44	20.0	± 1.0	14.0	± 2.0	8.0

Cord Grips & Accessories

Torque Values for Metal Cable Glands

Cable Gland Nickel Plated Brass (NPT)	CAP BODY LOCK NUT			Body to Enclosure or locknut to body* (Min Torque Value to Ensure Declared IP rate)		Locknut thickness
	Cable Range (mm)	Recommended tightening torque		Recommended tightening torque		Height (mm)
		Nm	Tolerance	Nm	Tolerance	
NPT 1/4"	3 - 6.5	5.0	± 0.5	3.0	± 0.5	7.0
NPT 3/8"	5 - 10	6.5	± 0.5	3.0	± 0.5	7.0
NPT 1/2"	6 - 12	17.5	± 0.5	3.0	± 0.5	7.0
NPT 1/2"	10 - 14	15.0	± 0.5	4.0	± 0.5	7.0
NPT 3/4"	13 - 18	17.0	± 0.5	5.5	± 0.5	7.0
NPT 1"	18 - 25	40.0	± 1.0	8.0	± 0.5	7.0
NPT 1 1/4"	22 - 32	40.0	± 1.0	10.0	± 0.5	7.0
NPT 1 1/2"	30 - 38	45.0	± 1.0	16.0	± 0.5	7.0

Cable Gland Nickel Plated Brass (Metric)	CAP BODY LOCK NUT			Body to Enclosure or locknut to body* (Min Torque Value to Ensure Declared IP rate)		Locknut thickness
	Cable Range (mm)	Recommended tightening torque		Recommended tightening torque		Height (mm)
		Nm	Tolerance	Nm	Tolerance	
M12 X 1.5	3 - 6.5	5.0	± 0.5	3.0	± 0.5	2.8
M16 x 1.5	4 - 8.0	6.5	± 0.5	4.0	± 0.5	3.0
M16 x 1.5	5 - 10	6.0	± 0.5	4.0	± 0.5	3.0
M20 x 1.5	6 - 12	8.0	± 0.5	5.5	± 0.5	3.5
M20 x 1.5	10 - 14	11.0	± 0.5	6.0	± 0.5	3.5
M20 x 1.5	7 - 13	15.0	± 0.5	7.5	± 0.5	3.5
M25 x 1.5	10 - 14	11.0	± 0.5	6.0	± 0.5	4.0
M25 x 1.5	13 - 18	17.0	± 0.5	6.0	± 0.5	4.0
M32 x 1.5	13 - 18	17.0	± 0.5	6.0	± 0.5	5.0
M32 x 1.5	18 - 25	28.0	± 1.0	6.0	± 0.5	5.0
M40 x 1.5	18 - 25	30.0	± 1.0	12.0	± 0.5	5.0
M40 x 1.5	22 - 32	41.0	± 1.0	12.0	± 0.5	5.0
M50 x 1.5	22 - 32	42.0	± 1.0	18.0	± 0.5	5.0
M50 x 1.5	34 - 44	50.0	± 1.0	18.0	± 0.5	6.0
M63 x 1.5	34 - 44	55.0	± 2.0	25.0	± 1.0	6.0
M63 x 1.5	37 - 53	100.0	± 2.0	25.0	± 1.0	6.0

Cable Gland Nickel Plated Brass (PG)	CAP BODY LOCK NUT			Body to Enclosure or locknut to body* (Min Torque Value to Ensure Declared IP rate)		Locknut thickness
	Cable Range (mm)	Recommended tightening torque		Recommended tightening torque		Height (mm)
		Nm	Tolerance	Nm	Tolerance	
PG 7	3 - 6.5	5.0	± 0.5	3.0	± 0.5	2.8
PG 9	4 - 8.0	6.0	± 0.5	4.0	± 0.5	2.8
PG 11	5 - 10	7.0	± 0.5	5.0	± 0.5	3.0
PG 13.5	6 - 12	8.0	± 0.5	5.5	± 0.5	3.0
PG 16	10 - 14	11.0	± 0.5	7.0	± 0.5	3.0
PG 21	13 - 18	17.0	± 0.5	10.0	± 0.5	3.5
PG 29	18 - 25	30.0	± 0.5	15.0	± 0.5	4.0
PG 36	22 - 32	42.0	± 0.5	20.0	± 0.5	5.0
PG 42	30 - 38	45.0	± 0.5	27.0	± 0.5	5.0
PG 48	34 - 44	50.0	± 1.0	35.0	± 0.5	5.5

* When locknut is used, the screwing length must be at 1.5 times the locknut thickness.

** When a threaded enclosure is used, the wall thickness must be at least equal to the locknut thickness

Cord Grips & Accessories

Torque Values for CG EMC-2 Nickel Plated Brass Glands

Cable Gland Nickel Plated Brass (NPT)	CAP BODY LOCK NUT			Body to Enclosure or locknut to body* (Min Torque Value to Ensure Declared IP rate)		Locknut thickness
	Cable Range (mm)	Recommended tightening torque		Recommended tightening torque		Height (mm)
		Nm	Tolerance	Nm	Tolerance	
NPT 3/8"	5 - 10	7.0	± 0.5	7.0	± 0.5	7.0
NPT 1/2"	6 - 12	8.0	± 1.0	8.0	± 1.0	7.0
NPT 1/2"	10 - 14	11.0	± 1.0	11.0	± 1.0	7.0
NPT 3/4"	13 - 18	17.0	± 1.0	17.0	± 1.0	7.0
NPT 1"	18 - 25	22.5	± 1.0	22.5	± 1.0	7.0

Cable Gland Nickel Plated Brass (Metric)	CAP BODY LOCK NUT			Body to Enclosure or locknut to body* (Min Torque Value to Ensure Declared IP rate)		Locknut thickness
	Cable Range (mm)	Recommended tightening torque		Recommended tightening torque		Height (mm)
		Nm	Tolerance	Nm	Tolerance	
M12 X 1.5	3 - 6.5	5.0	± 0.5	5.0	± 0.5	2.8
M16 x 1.5	4 - 8.0	6.0	± 0.5	6.0	± 0.5	3.0
M16 x 1.5	4.5 - 10	7.0	± 0.5	7.0	± 0.5	3.0
M20 x 1.5	6 - 12	8.0	± 1.0	8.0	± 1.0	3.5
M25 x 1.5	10 - 14	11.0	± 1.0	11.0	± 1.0	4.0
M25 x 1.5	13 - 18	17.0	± 1.0	17.0	± 1.0	4.0
M32 x 1.5	13 - 18	17.0	± 1.0	17.0	± 1.0	5.0
M32 x 1.5	18 - 25	22.5	± 1.0	22.5	± 1.0	5.0
M40 x 1.5	18 - 25	22.5	± 1.0	22.5	± 1.0	5.0
M40 x 1.5	22 - 32	41.0	± 1.0	41.0	± 1.5	5.0
M50 x 1.5	22 - 32	41.0	± 1.5	41.0	± 1.5	5.0
M63 x 1.5	34 - 44	45.0	± 2.0	45.0	± 2.0	6.0
M63 x 1.5	37 - 53	50.0	± 2.0	50.0	± 2.0	6.0

Cable Gland Nickel Plated Brass (PG)	CAP BODY LOCK NUT			Body to Enclosure or locknut to body* (Min Torque Value to Ensure Declared IP rate)		Locknut thickness
	Cable Range (mm)	Recommended tightening torque		Recommended tightening torque		Height (mm)
		Nm	Tolerance	Nm	Tolerance	
PG 7	3 - 6.5	5.0	± 0.5	5.0	± 0.5	2.8
PG 9	4 - 8.0	6.0	± 0.5	6.0	± 0.5	2.8
PG 11	5 - 10	7.0	± 0.5	7.0	± 0.5	3.0
PG 13.5	6 - 12	8.0	± 1.0	8.0	± 1.0	3.0
PG 16	10 - 14	11.0	± 1.0	11.0	± 1.0	3.0
PG 21	13 - 18	17.0	± 1.0	17.0	± 1.0	3.5
PG 29	18 - 25	22.5	± 1.0	22.5	± 1.0	4.0
PG 36	22 - 32	41.0	± 1.0	41.0	± 1.5	5.0
PG 42	30 - 38	45.0	± 2.0	45.0	± 2.0	5.0
PG 48	34 - 44	50.0	± 2.0	50.0	± 2.0	5.5

* When locknut is used, the screwing length must be at 1.5 times the locknut thickness.

**When a threaded enclosure is used, the wall thickness must be at least equal to the locknut thickness

Cord Grips & Accessories

Torque Values for CG EMC-4 Nickel Plated Brass Glands

Cable Gland Nickel Plated Brass (NPT)	CAP BODY LOCK NUT			Body to Enclosure or locknut to body* (Min Torque Value to Ensure Declared IP rate)		Locknut thickness
	Cable Range (mm)	Recommended tightening torque		Recommended tightening torque		Height (mm)
		Nm	Tolerance	Nm	Tolerance	
NPT 3/8"	5 - 10	6.0	± 0.5	6.0	± 0.5	7.0
NPT 1/2"	6 - 12	8.0	± 1.0	8.0	± 1.0	7.0
NPT 1/2"	7.5 - 14	10.0	± 1.0	10.0	± 1.0	7.0
NPT 3/4"	10 - 18	15.0	± 1.0	15.0	± 1.0	7.0
NPT 1"	16 - 25	22.0	± 1.0	22.0	± 1.0	7.0
NPT 1 1/4"	22 - 32	42.0	± 1.0	42.0	± 1.0	7.0
NPT 1 1/2"	30 - 38	42.0	± 1.5	42.0	± 1.5	7.0
NPT 2"	34 - 44	43.0	± 1.5	43.0	± 1.5	7.0

Cable Gland Nickel Plated Brass (Metric)	CAP BODY LOCK NUT			Body to Enclosure or locknut to body* (Min Torque Value to Ensure Declared IP rate)		Locknut thickness
	Cable Range (mm)	Recommended tightening torque		Recommended tightening torque		Height (mm)
		Nm	Tolerance	Nm	Tolerance	
M12 X 1.5	3 - 6.5	7.0	± 0.5	7.0	± 0.5	2.8
M16 x 1.5	5 - 10	6.0	± 0.5	6.0	± 0.5	3.0
M20 x 1.5	6 - 12	8.0	± 1.0	8.0	± 1.0	3.5
M20 x 1.5	7.5 - 14	10.0	± 1.0	10.0	± 1.0	3.5
M25 x 1.5	10 - 18	15.0	± 1.0	15.0	± 1.0	4.0
M32 x 1.5	16 - 25	22.0	± 1.0	22.0	± 1.0	5.0
M40 x 1.5	22 - 32	42.0	± 1.0	42.0	± 1.0	5.0
M50 x 1.5	30 - 38	42.0	± 1.5	42.0	± 1.5	5.0
M63 x 1.5	34 - 44	43.0	± 1.5	43.0	± 1.5	6.0

Cable Gland Nickel Plated Brass (PG)	CAP BODY LOCK NUT			Body to Enclosure or locknut to body* (Min Torque Value to Ensure Declared IP rate)		Locknut thickness
	Cable Range (mm)	Recommended tightening torque		Recommended tightening torque		Height (mm)
		Nm	Tolerance	Nm	Tolerance	
PG 7	3 - 6.5	7.0	± 0.5	7.0	± 0.5	2.8
PG 11	5 - 10	6.0	± 0.5	6.0	± 0.5	3.0
PG 13.5	6 - 12	8.0	± 1.0	8.0	± 1.0	3.0
PG 16	7.5 - 14	10.0	± 1.0	10.0	± 1.0	3.0
PG 21	10 - 18	15.0	± 1.0	15.0	± 1.0	3.5
PG 29	16 - 25	22.0	± 1.0	22.0	± 1.0	4.0
PG 36	22 - 32	42.0	± 1.0	42.0	± 1.0	5.0
PG 42	30 - 38	42.0	± 1.5	42.0	± 1.5	5.0
PG 48	34 - 44	43.0	± 1.5	43.0	± 1.5	5.5

* When locknut is used, the screwing length must be at 1.5 times the locknut thickness.

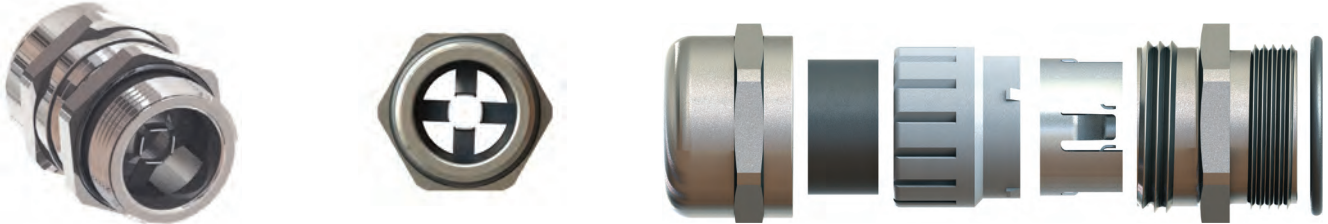
**When a threaded enclosure is used, the wall thickness must be at least equal to the locknut thickness

Cord Grips & Accessories

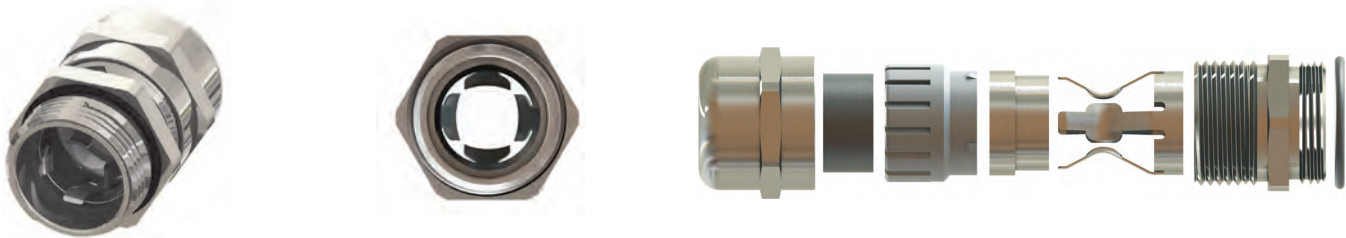
EMC Grounding Gland Installation Guide

SAB's EMC grounding glands are designed to create a path to ground and remove EMI from the cable shield at the enclosure and eventually to earth ground. We offer two designs, CG EMC-2 and CG EMC-4. SAB's EMC glands work perfectly with VFD cables. CG EMC-2 is a more cost-effective solution for permanent installation. CG EMC-4 is designed to withstand high vibration applications and multiple reinstallations of the cable. The cable can be installed in either direction when using the EMC-4 style but must be installed from the dome end for the CG EMC-2 style.

■ EMC-2



■ EMC-4



Steps For Installation

■ Step 1:

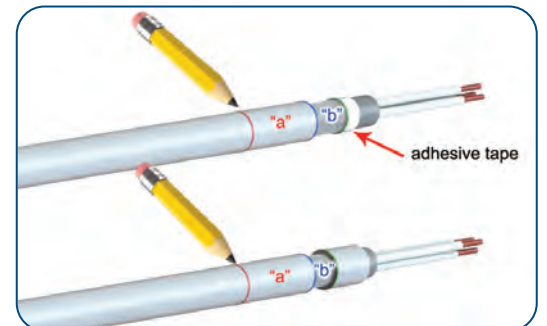
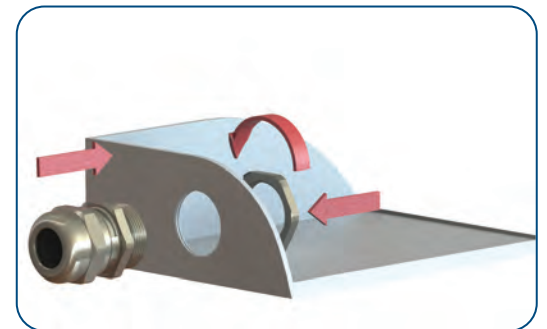
Install the EMC cable gland on the enclosure. Use our EMC locknut for optimal contact with the enclosure. If enclosure hole is threaded, refer to the Torque Value Tables for recommended tightening torques for cap, body, and locknut.

■ Step 2:

Prepare the cable shield for connection. Determine the spot where the cable will enter the enclosure and mark the jacket. From that first mark, measure out from the direction leaving the enclosure with "b" then "a" using the sizing chart on the next page.

Option 1: Remove the complete jacket and trim the braid beyond the connection to the gland. Use adhesive tape to secure the end of the shield to avoid fraying.

Option 2: Leave the jacket on the cable exposing only section "b", so contact is made with the shield. If the jacket moves during installation, gently move it back into position.



Cord Grips & Accessories

EMC Grounding Gland Installation Guide

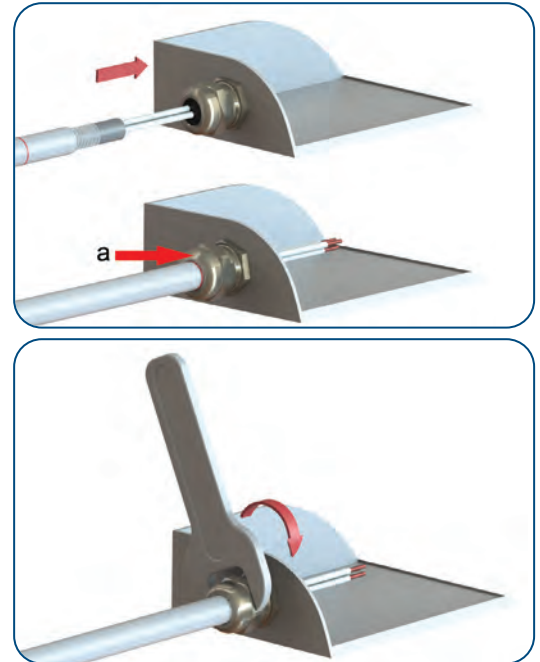
■ Step 3:

Insert cable through gland aligning mark “a” with top of gland. Make sure the gland’s grounding springs are in contact with the shield of the cable.

- For CG-EMC-2, do not try to rotate or pull out the cable.
- For CG-EMC-4, the cable can be moved to ensure best position

■ Step 4:

Tighten the cap. Refer to Torque Values Tables for proper tightening. Once the gland is secured, do not pull or rotate the cable because this could damage the cable.



■ CG EMC-2

Metric	PG	NPT	Marking “a”		Exposed Shield “b”	
			inch	mm	inch	mm
EM2-12	EP2-7	-	0.591	15.0	0.492	12.5
EM2-16	EP2-9	-	0.709	18.0	0.433	11.0
EM2-16C	EP2-11	EN2-3/8	0.748	19.0	0.512	13.0
EM2-20	EP2-13	EN2-1/2	0.728	18.5	0.492	12.5
EM2-25	EP2-16	-	0.807	20.5	0.531	13.5
EM2-25C, EM2-32	EP2-21	EN2-3/4	0.945	24.0	0.591	15.0
EM2-32C, EM2-40	EP2-29	EN2-1	1.142	29.0	0.650	16.5
EM2-40C, EM2-50	EM2-50	-	1.378	35.0	0.827	21.0
EM2-50C	EP2-42	-	1.260	32.0	0.906	23.0
EM2-63	EP2-48	-	1.339	34.0	1.280	32.5

■ CG EMC-4

Metric	PG	NPT	Marking “a”		Exposed Shield “b”	
			inch	mm	inch	mm
EM4-12	EP4-7	EN4-1/4	0.413	10.5	0.551	14.0
EM4-16	EP4-11	EN4-3/8	0.591	15.0	0.551	14.0
EM4-20	EP4-13	EN4-1/2	0.551	14.0	0.748	19.0
EM4-20C	EP4-16	EN4-1/2C	0.591	15.0	0.748	19.0
EM4-25	EP4-21	EN4-3/4	0.748	19.0	0.787	20.0
EM4-32	EP4-29	EN4-1	0.827	21.0	1.024	26.0
EM4-40	EP4-36	EN4-1 1/4	1.024	26.0	1.102	28.0
EM4-50	EP4-42	EN4-1 1/2	1.024	26.0	1.575	40.0
EM4-63	EP4-48	EN4-2	1.083	27.5	1.378	35.0
EM4-63C	-	-	1.220	31.0	1.378	35.0

Cord Grips & Accessories

VFD Termination Kit Instructions

1. Expose shield, minimally 1", at the enclosure entrance to secure EMC grounding gland



2. Secure EMC grounding gland with 360° connection to the cable shield



3. Strip jacket back minimally 6" for connection to the drive backplane



Enclosure
Entrance



At the Drive
Backplane

4. Prep the shield for grounding at the drive with minimally 3" exposed of the tinned copper tape shield for best performance and use the alcohol wipes to remove any excess residue on exposed shield



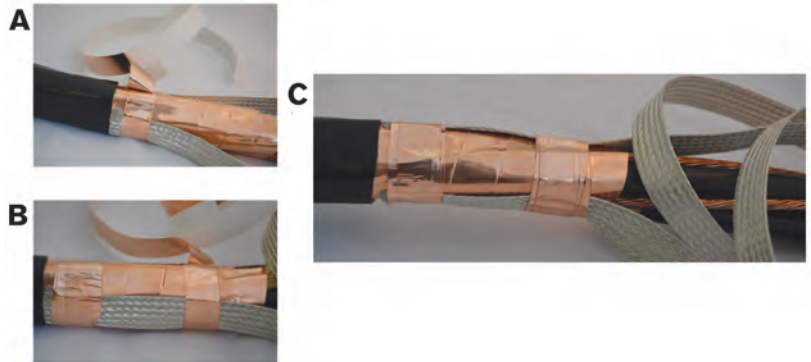
5. Fan both tinned copper braids provided at both ends of the braid



Cord Grips & Accessories

VFD Termination Kit Instructions

6. Using conductive copper tape, secure tinned copper braid along a minimum of 3" of copper shield on two sides of the cable



7. Using rubber slice tape, secure tinned copper braid for the full 3" along the copper tape shield



Enclosure Entrance



At the Drive Backplane

8. If panel is painted, prepare drive backplane using sand paper to expose the conductive metal surface

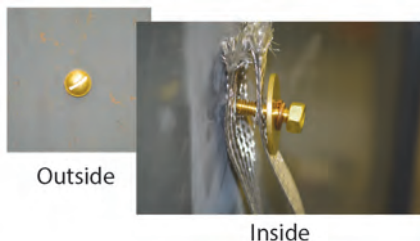


Painted backplane

Sand paint to expose metal

Drill hole

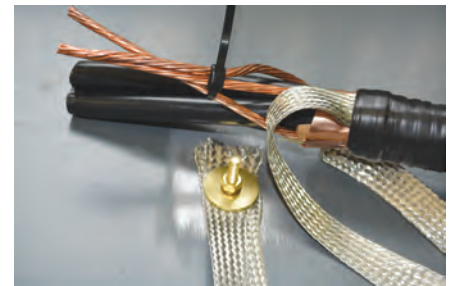
9. Using brass bolt, washers, locking washer, and nut, secure the other end of the tinned copper braid to the backplane. (Bolts are 1/4" - 20)



Outside

Inside

Tie wraps are included to use as needed; additional securement of the tinned copper braids or to bundle the 3 grounds together.



10. Repeat as needed on the motor end

Cord Grips & Accessories

Production Possibilities

Flexible cables and wires “Made in Germany”

As a leading manufacturer we develop and produce cables for industrial purposes.

Our wide range of materials offer a lot of possibilities for your individual product requirement.

The following survey shows an extract of our production possibilities:

Conductor Materials:

- ✓ bare copper
- ✓ tinned copper
- ✓ silver plated copper
- ✓ nickel plated copper
- ✓ nickel
- ✓ nickel pure
- ✓ compensating cable alloys

Insulation and Jacketing Materials:

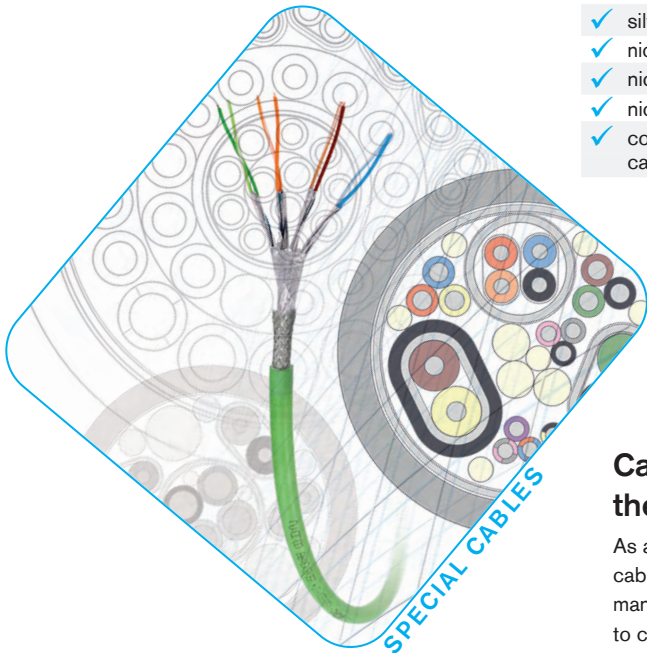
- ✓ PVC
- ✓ Polyethylene
- ✓ Polypropylene
- ✓ Polyurethane
- ✓ TPE
- ✓ SABIX® (zero halogen)
- ✓ Besilen® - Silicone
- ✓ FEP, ETFE, PFA, PTFE
- ✓ PI foil
- ✓ Fiberglass

Temperature Ranges:

- Thermoplastic Elastomers
- ✓ -50°C up to +145°C
- SABIX®
- ✓ -50°C up to +220°C
- Besilen® - Silicone
- ✓ -40°C up to +220°C
- FEP, ETFE, PFA
- ✓ -90°C up to +260°C
- Fiberglass
- ✓ up to +600°C

Conductors:

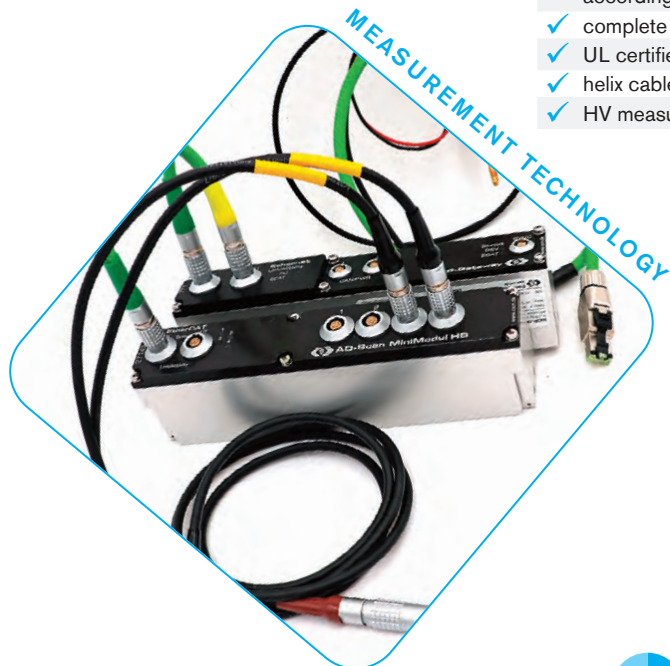
- ✓ cross sections 0.055 - 300 mm²
- ✓ unshielded and shielded over 100 conductors



Cable assemblies directly from the manufacturer SAB:

As a full service partner, we are able to offer cable design and production as well as the manufacturing of cable assemblies according to customer's request. Please trust on our experience for decades in the treatment of cables and connectors.

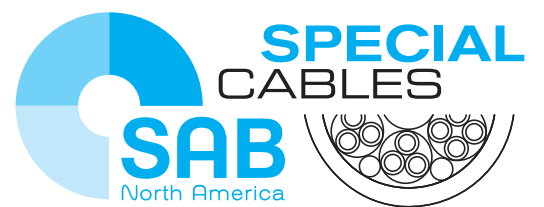
- ✓ cable assemblies according to customer's demands
- ✓ complete cable assemblies
- ✓ UL certified assemblies
- ✓ helix cables
- ✓ HV measuring assemblies



Measuring technology for industrial applications

Manufacturer of temperature sensors for industrial applications with 75 years of experience!

- ✓ mineral insulated thermocouples
- ✓ mineral insulated resistance thermometers
- ✓ temperature sensors
- ✓ mobile high voltage measuring technology
- ✓ temperature sensors for vehicle testing



344 Kaplan Drive
Fairfield, NJ 07004
Toll Free: 866-722-2974
www.sabcable.com
info@sabcable.com

July 2023